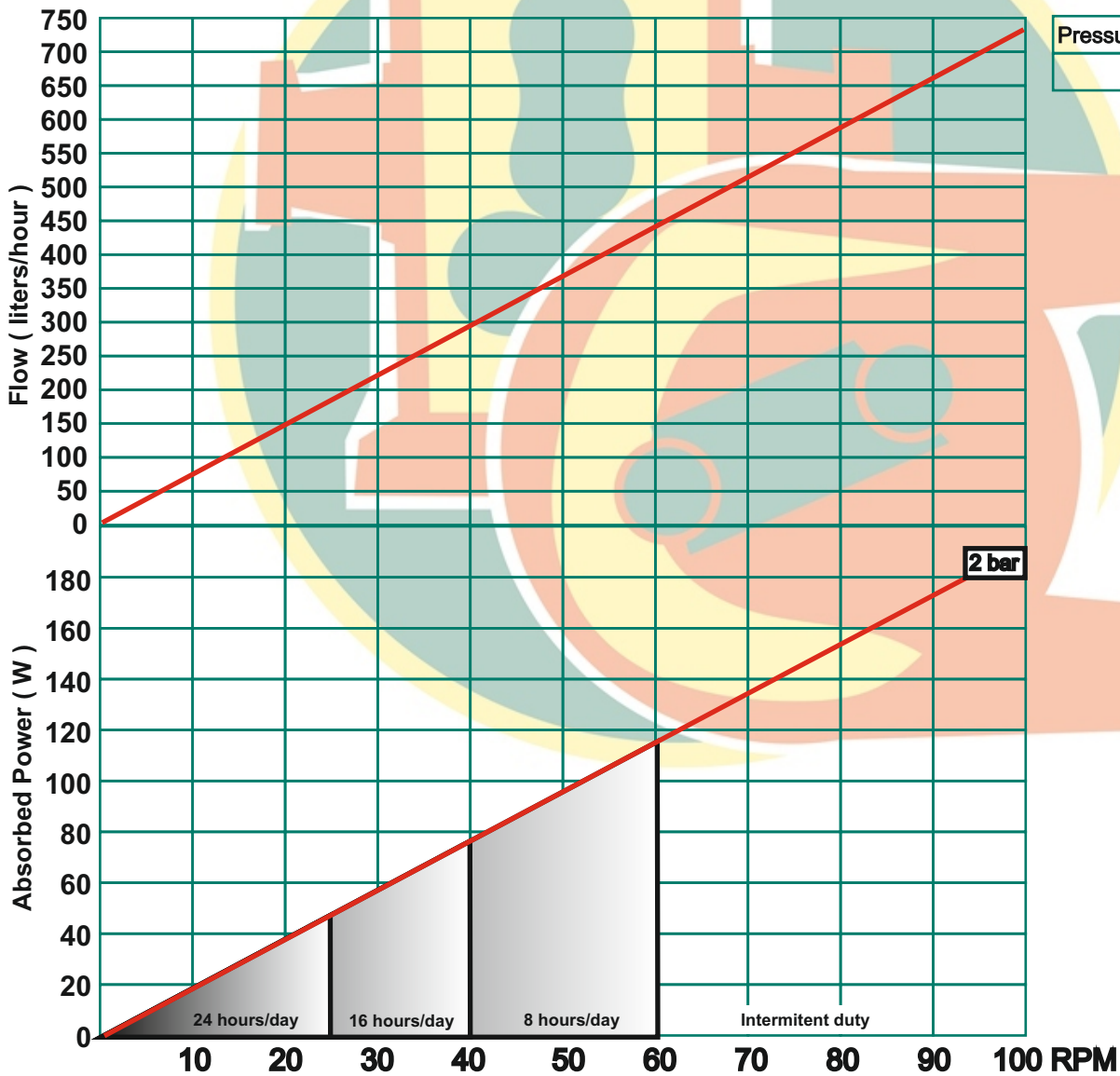


## Industrial Peristaltic Pumps

### AMP-19D Data sheet



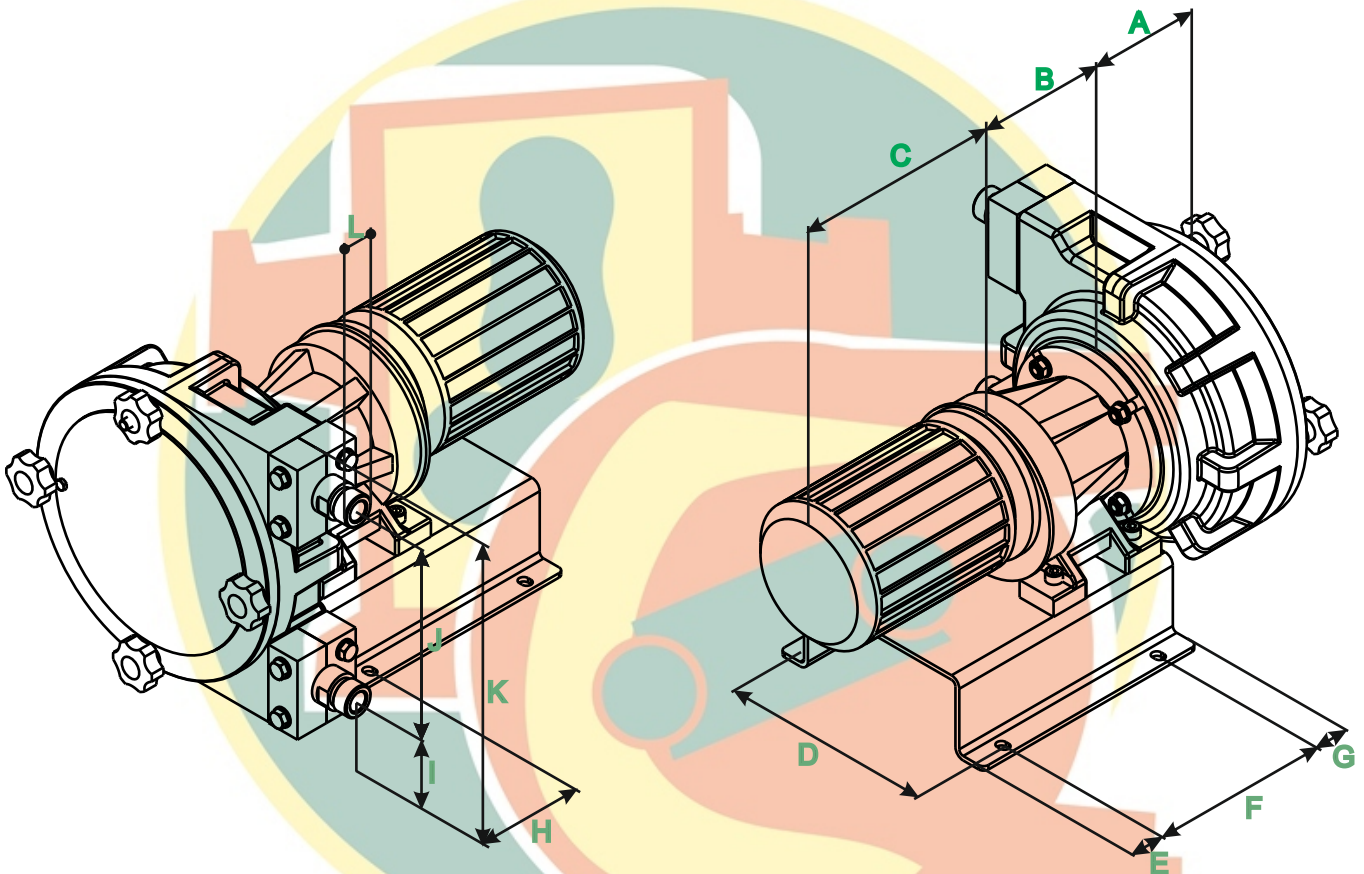
**Capacity:** 0,123 l/rev.  
**Connections:** 1"  
**Max. Pressure:** 2 bar  
**Rotor system:** Rollers  
**Available hoses:** --  
**Available tubes:** Norprene  
 Tygon



Pressure (bar)	Torque (Nm)
2	20



Description	Material	Surface treatment
Pump housing	Alluminium EN-AC-44100	Polyester powder coated Halar coated ( Optional )
Front cover	Steel F-111 / Polycarbonate	Polyester powder coated Halar coated ( Optional )
Rotor	Nodular Cast Iron EN-GJL-400	Cataforesis
Rollers	Steel F-114	Blueing
Base plate	Steel F-111 Stainless Steel AISI-304 ( Optional )	Polyester powder coated --
Connections	Stainless Steel AISI-316 Polypropylene ( Optional ) PVDF ( Optional )	--



A	B	C	D	E	F	G	H	I	J	K	L
119	*	*	190	30	160	30	75	60	170	265	1" BSP

\* To confirm according type and power driver.

