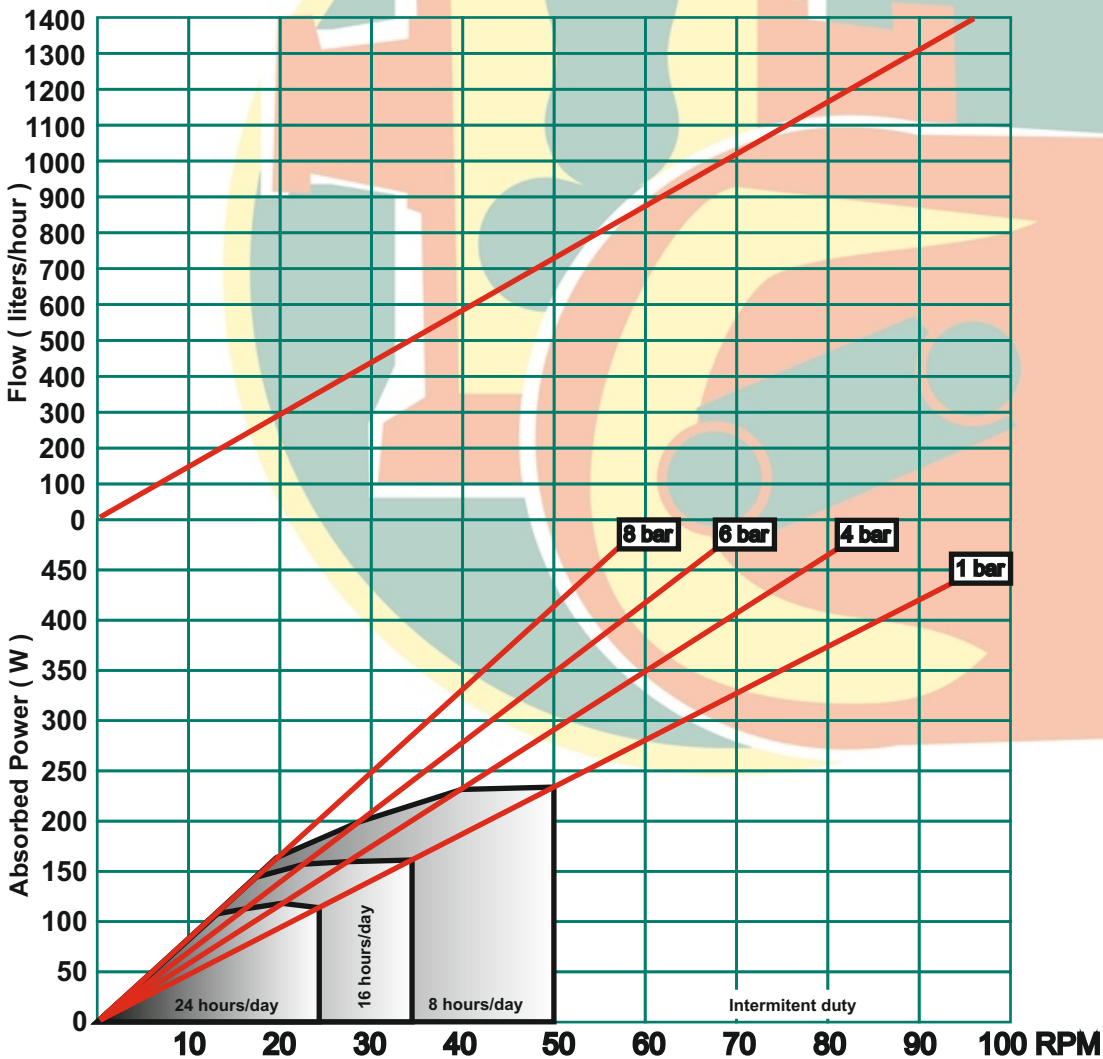


AMP-22 Data sheet

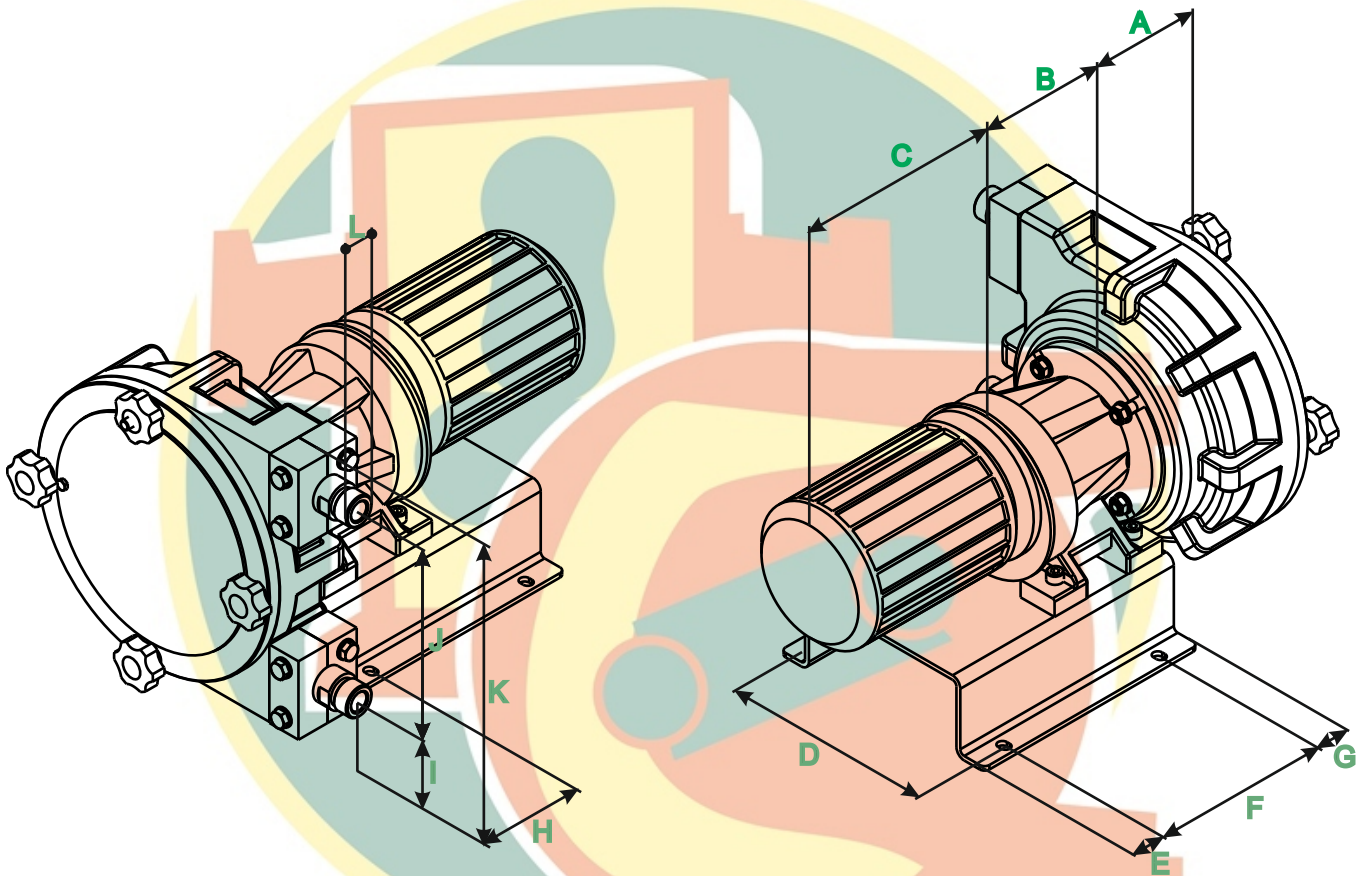


Capacity: 0,246 l/rev.
Connections: 1"
Max. Pressure: 8 bar
Rotor system: Rollers
Available hoses: NR
 NBR
 EPDM
 HYPALON
 NR-A
 NBR-A
Available tubes: Norprene
 Silicone

Pressure (bar)	Torque (Nm)
1	45
4	56
6	67
8	78



Description	Material	Surface treatment
Pump housing	Alluminium EN-AC-44100	Polyester powder coated Halar coated (Optional)
Front cover	Steel F-111 / Polycarbonate	Polyester powder coated Halar coated (Optional)
Rotor	Nodular Cast Iron EN-GJL-400	Cataforesis
Rollers	Steel F-114	Blueing
Base plate	Steel F-111 Stainless Steel AISI-304 (Optional)	Polyester powder coated --
Connections	Stainless Steel AISI-316 Polypropylene (Optional) PVDF (Optional)	--



A	B	C	D	E	F	G	H	I	J	K	L
110	*	*	245	25	175	25	95	85	201	355	1" BSP

* To confirm according type and power driver.

