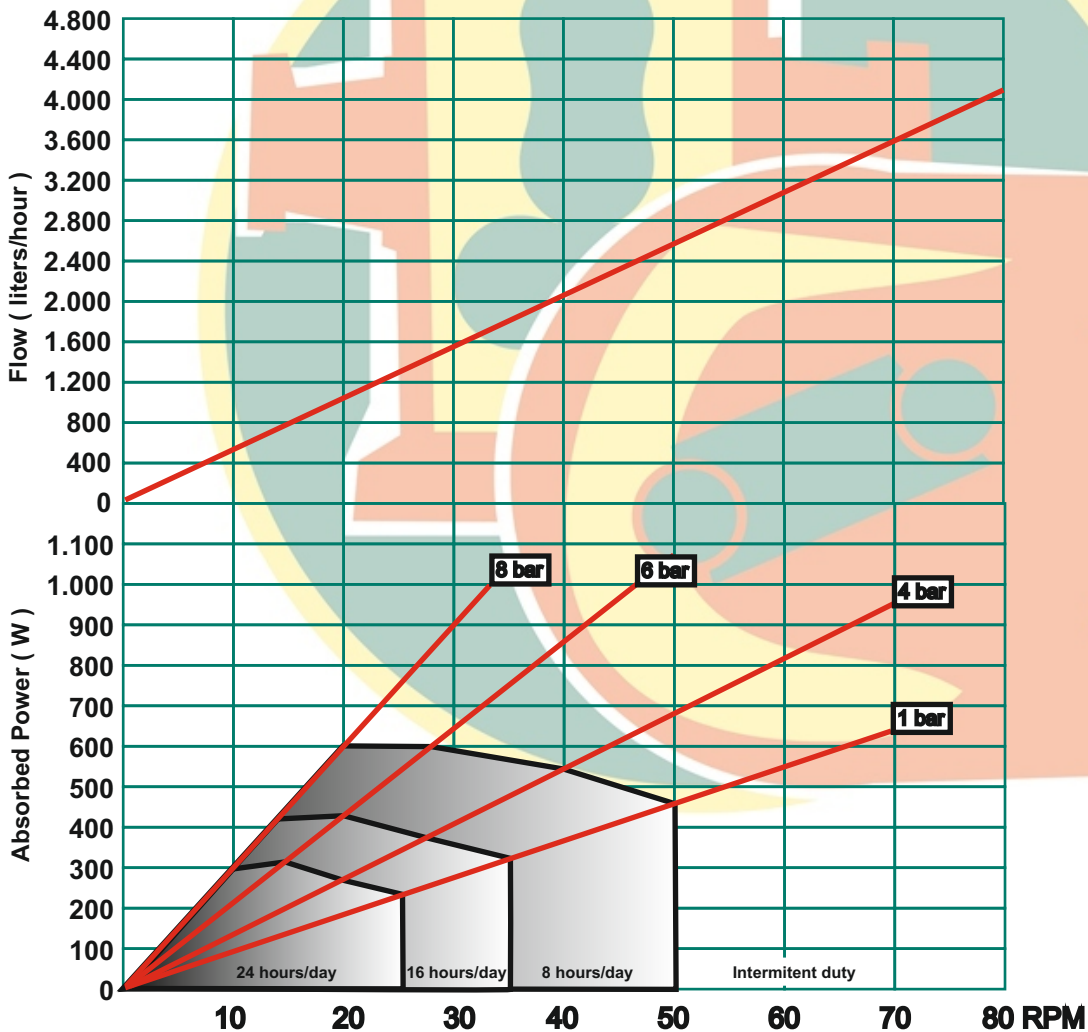


### FMP-40 Data sheet



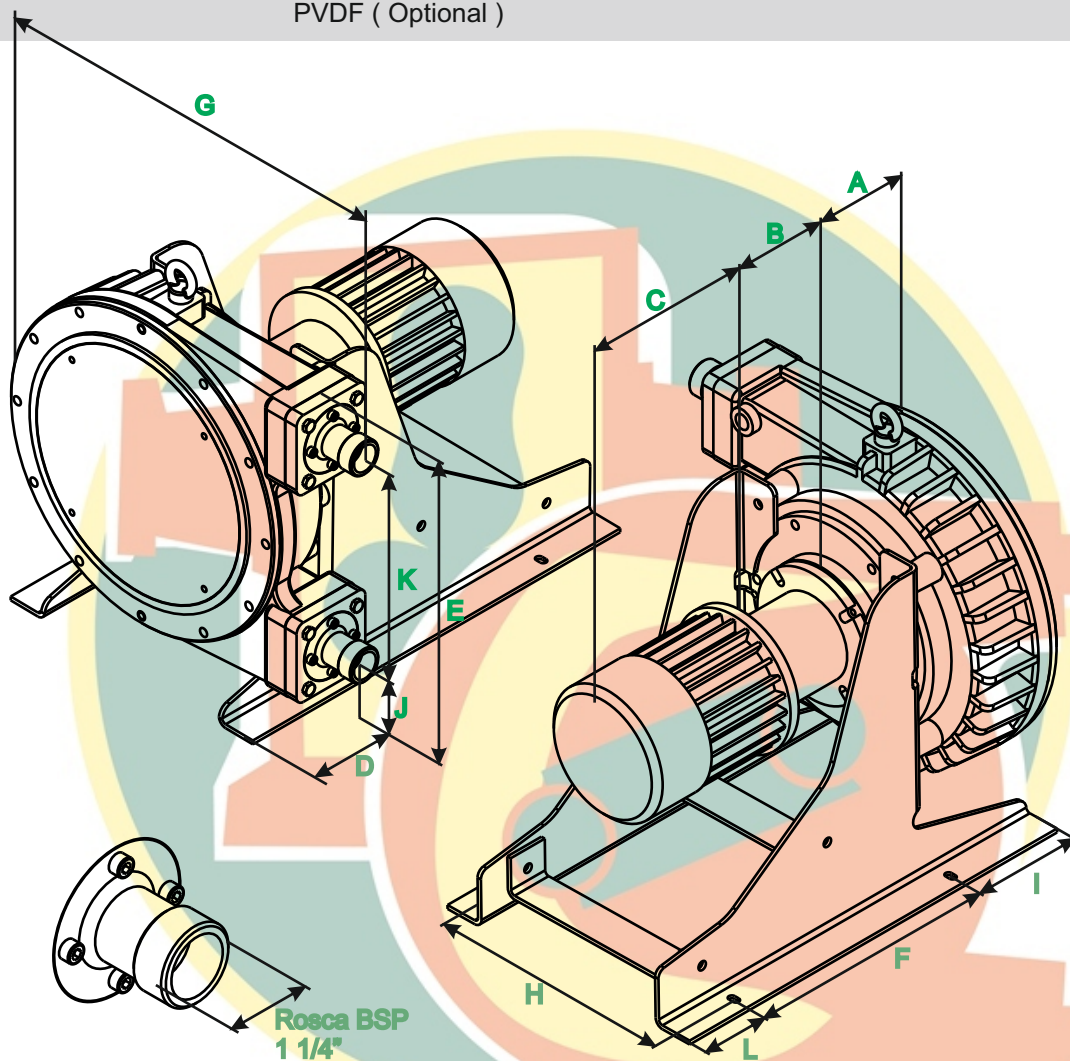
**Capacity:** 0,86 l/rev.  
**Connections:** 1 1/2"  
**Max. Pressure:** 8 bar  
**Rotor system:** Rollers  
**Available hoses:** NR  
 NBR  
 EPDM  
 HYPALON  
 NR-A  
 NBR-A  
**Available tubes:** Norprene



Pressure (bar)	Torque (Nm)
1	90
4	130
6	200
8	285



Description	Material	Surface treatment
Pump housing	Cast Iron EN-GJL-250	Polyester powder coated Halar coated ( Optional )
Front cover	Steel F-111 / Polycarbonate	Polyester powder coated Halar coated ( Optional )
Rotor	Nodular Cast Iron EN-GJL-400	Cataforesis
Rollers	Steel F-114	Blueing
Base plate	Steel F-111 Stainless Steel AISI-304 ( Optional )	Polyester powder coated --
Connections	Stainless Steel AISI-316 Polypropylene ( Optional ) PVDF ( Optional )	--



A	B	C	D	E	F	G	H	I	J	K	L
135	*	*	79	613	345	552	385	170	130	330	95

\* To confirm according type and power driver.

