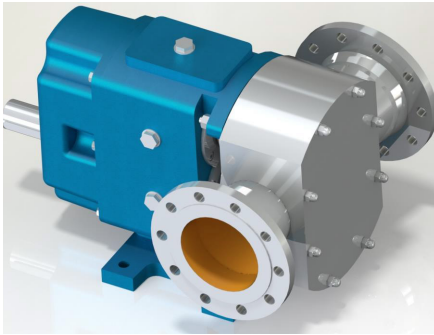




GQT 6" Rotary Lobe Pump



Performance:

Flow rate	106.5 m ³ /h
Pressure	1 - 7 bar
Temperature	0 - 150 °C
Speed	1 - 500 d/d
Viscosity	150 - 250000 SSU

- 6" Standard Port Size
- 6" Enlarged Port Size

Technical Features:

- ✓ Rotary lobe pump
- ✓ 6" flanged threaded connections
- ✓ Suitable for hygienic applications involving food
- ✓ Good clean in place qualities
- ✓ Gentle, low pulsation pumping mechanism
- ✓ Compact design
- ✓ Various material options
- ✓ Various sealing options
- ✓ Available with sanitary clamp connection and heating jacket
- ✓ Motor or gearbox drive available
- ✓ 230v, three phase 50/60hz motors available
- ✓ Manufactured according to CE regulations

Applications:

- ✓ Sanitary and hygienic applications
- ✓ Shear sensitive products
- ✓ Food processing
- ✓ Pharmaceutical
- ✓ Chemical
- ✓ Paper and pulp
- ✓ Gels and greases
- ✓ Paint and dyes

Material Options:

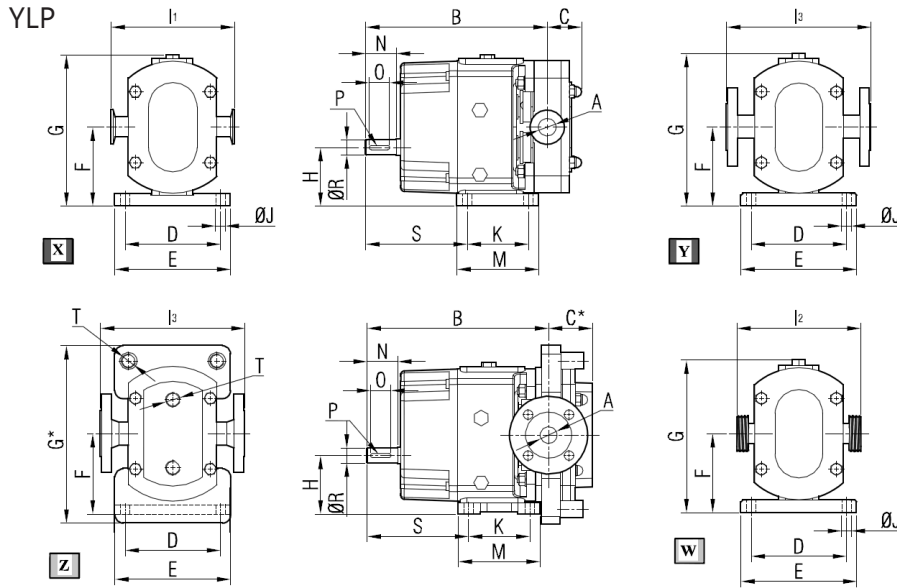
- ✓ Pump body & cover: Cast iron
- ✓ Lobe casing & lobes: Steel cast, stainless AISI 304 / 316
- ✓ Bearings: Bearing
- ✓ Sealing: Mechanical seal, lip seal

Capacity & Power Table

Capacity	Speed (rpm)	Pressure			Viscosity
		0 Bar	3.5 Bar	7 Bar	
6.2	30	4 HP	5.5 HP	5.5 HP	250000 SSU
12.4	60	7.5 HP	7.5 HP	10 HP	250000 SSU
31	150	15 HP	20 HP	20 HP	75000 SSU
41.7	200	15 HP	20 HP	30 HP	15000 SSU
62.6	300	15 HP	20 HP	30 HP	2500 SSU
70	350	15 HP	20 HP	30 HP	500 SSU
76	400	15 HP	30 HP	40 HP	150 SSU

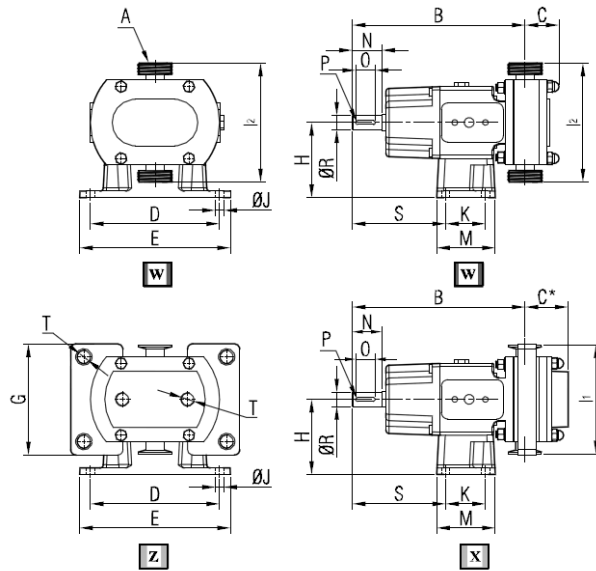


Pump Dimensions:



X	Pump with Sanitary Clamp Connection
Y	Pump with Flange Connection
Z	Pump with Heating Jackets
W	Pump with Male Thread Connection
B	For Pump with Code 001
B*	For Pump with Code 002

Pump Code	A	B	B*	C	C*	D	E	F	G	G*	H	I ₁	I ₂	I ₃	J	K	M	N	O	P	R	S	T	kg	
YLP6	355	DN150	591	605	120	149	300	360	228	444	472	158	-	-	542	21	210	270	100	85	16x10	55	315	1"	240



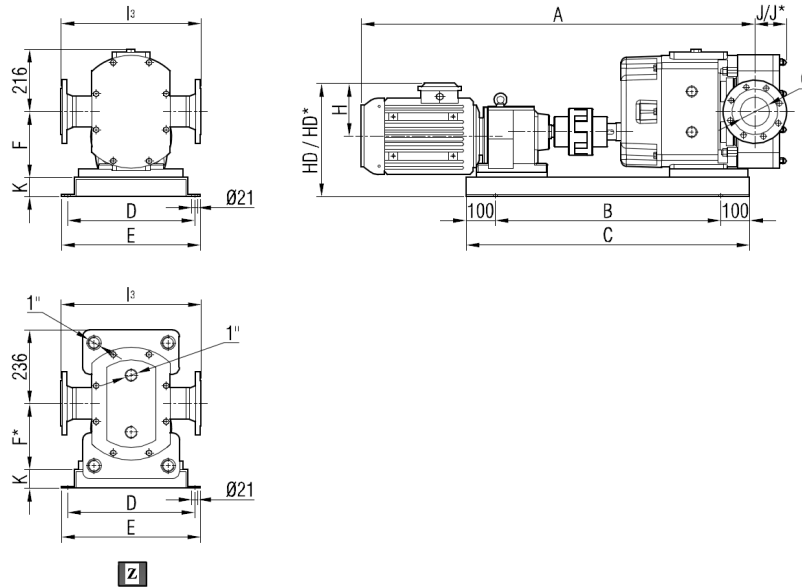
X	Pump with Sanitary Clamp Connection
Z	Pump with Heating Jackets
W	Pump with Male Thread Connection
B	For Pump with Code 001
B*	For Pump with Code 002

Pump Code	A	B	B*	C	C*	D	E	G	H	I ₁	I ₂	J	K	M	N	O	P	R	S	T	kg	
YLP6	355	DN125 DN150	591	605	120	148	340	380	333	290	316 396	352 440	17	159	280	100	85	16x10	55	198	1"	255



Coupling Dimensions - Gearbox Drive::

YLP6



***Add 14 mm to A dimension for 002 type pump.

Pump Code	G	I ₃	J	J*	
YLP6 001	355	DN150	542	120	148

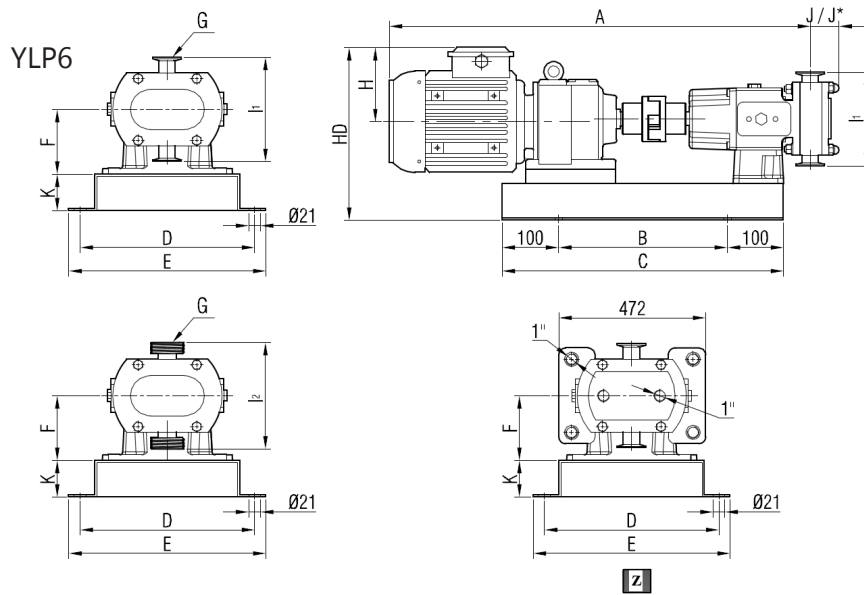
I ₃	Pump with Flange Connection
Z / HD* / F* / J*	Pump with Heating Jackets

Motor Power & Speed	A	HD	HD*	H	B	C	D	E	F	F*	K	Kg
15 hp / 11 kw	1592	493	493	225	960	1160	510	550	295	295	65	525
43/105 d/d (rpm) IRAM92/160M						1160						
20 hp / 15 kw	1636	457	502		850	1050	440	480	250	295	65	557
68/127 d/d (rpm) IRAM92/160L												
20 hp / 15 kw	1559	457	502	248	850	1050	440	480	250	295	65	530
131/380 d/d (rpm) IRAM82/160L												
25 hp / 18.5 kw	1717	542	542		1060	1260	550	590	321	321	105	704
50/93 d/d (rpm) IRAM103/180M												
25 hp / 18.5 kw	1650	516	516	960	1160	510	550	295	295	65	577	
85/223 d/d (rpm) IRAM92/180M												
20 hp / 18.5 kw	1571	480	525	850	1050	440	480	250	295	65	550	
237/456 d/d (rpm) IRAM82/180M												
30 hp / 22 kw	1755	542	542	1060	1260	550	590	321	321	105	729	
55/93 d/d (rpm) IRAM103/180L												
30 hp / 22 kw	1684	516	516	960	1160	510	550	295	295	65	602	
105/464 d/d (rpm) IRAM92/180L												

All dimensions are mm. Flanges are PN16



Coupling Dimensions - Gearbox Drive::



***Add 14 mm to A dimension for 002 type pump.

Pump Code	G	I ₁	I ₂	J	J*
YLP6	355	DN125	316	352	120
001		DN150	396	440	148

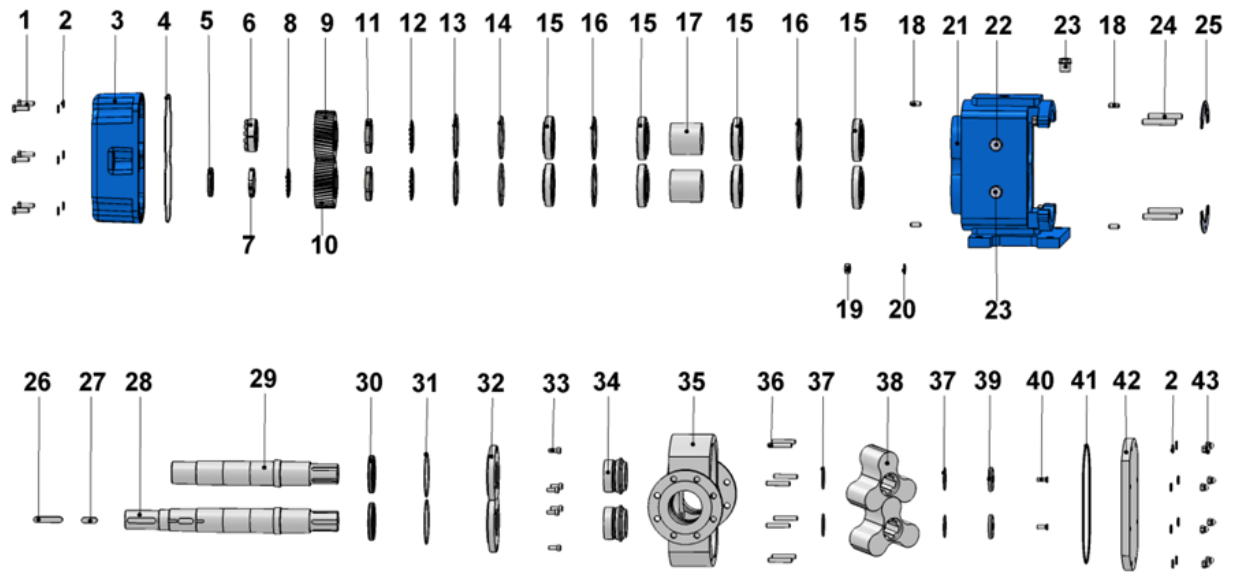
I ₁	Pump with Sanitary Clamp Connection
I ₂	Pump with Male Thread Connection
Z / J*	Pump with Heating Jackets

Motor Power & Speed	A	HD	H	B	C	E	F	F	K	Kg
15 hp / 11 kw	1592	559	225	900	1100	560	600	290	65	539
43/105 d/d (rpm) IRAM92/160M										571
20 hp / 15 kw	1636	556	248	800	1000	560	600	290	65	549
68/127 d/d (rpm) IRAM92/160L	1559	556								571
20 hp / 15 kw	1717	622	248	1000	1200	600	640	290	105	734
131/380 d/d (rpm) IRAM82/160L										1650
25 hp / 18.5 kw	1650	581	248	900	1100	560	600	290	65	591
50/93 d/d (rpm) IRAM103/180M										1571
25 hp / 18.5 kw	1571	579	246	800	1000	560	600	290	65	569
85/223 d/d (rpm) IRAM92/180M										1755
20 hp / 18.5 kw	1755	622	248	1000	1200	600	640	290	105	759
237/456 d/d (rpm) IRAM82/180M										1684
30 hp / 22 kw	1684	587	248	900	1100	560	600	290	65	616
55/93 d/d (rpm) IRAM103/180L										1755
30 hp / 22 kw	1755	622	248	1000	1200	600	640	290	105	759
105/464 d/d (rpm) IRAM92/180L										1684

All dimensions are mm. Flanges are PN16



Spare Parts List:



No.	Part Name.	Qty.	No.	Part Name.	Qty.
1	Hex Screw M12x40	6	23	Caps R1"	2
2	M12 Washer	14	24	Studbolt M16x100	4
3	Back Cover	1	25	Adjusting Plate	2
4	Back Cover O-Ring	1	26	Coupling Key 16x10x85	1
5	Seal $\varnothing 60 \times \varnothing 85 \times 10$	1	27	Gear Key 16x10x46	1
6	Squeezer 65	1	28	Driving Shaft	1
7	Lock Nut M65x2	1	29	Driven Shaft	1
8	Lock Washer M65	1	30	Lip Seal $\varnothing 78 \times \varnothing 110 \times 13$	2
9	Right Helical Gear	1	31	Bearing Cover O-Ring	2
10	Left Helical Gear	1	32	Bearing Cover	2
11	Lock Nut M70x2	2	33	Hex Socket M10x25	6
12	Lock Washer M70	2	34	Mechanical Seal	2
13	Internal Circlip ($\varnothing 125$)	2	35	Lobe Casing	1
14	Circlip Front Spacer	2	36	Studbolt M16x70	8
15	Bearing 30214 A	8	37	Lobe O-Ring	4
16	Bearing Spacer Sheet Metal	4	38	Lobe	2
17	Spacer	2	39	Shaft Nut	2
18	Pin $\varnothing 12 \times 30$	4	40	Countersunk Head Screws M10x30	2
19	M16 Nut	4	41	Cover O-Ring	1
20	M16 Washer	4	42	Cover	1
21	Casing	1	43	M12 Domed Cap Nut	8
22	Oil Indicator R1"	1			