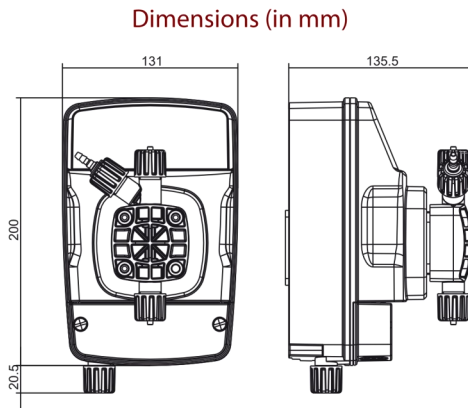




eOne

Energy Efficient Dosing





Max Flow Rate (L/H)	Max Pressure (Bar)	Standard Power Supply	Net Weight (Kg)
1	10	100 - 250 V 50 - 60 Hz	2.3
3	10		
5	20		
5	7		
8	10		
10	10		
15	4		
20	5		
30	5		

Chart for eOne MA, MF and PLUS only

The eOne Energy Efficient Solenoid Metering Pump

- Underload and Overload feedback; Alert and shuts off if the dosing system is underdosing or if it detects a blockage.
- Max 300 strokes per minute ensures accurate dosing.
- Double ceramic ball valve head to increase dosing accuracy.
- Energy consumption of 26 W at maximum pressure setting.
- Range of functions
- Reliable and accurate dosing in the event of changes to the pressure ($\pm 5\%$ dosing tolerance for each 1 bar variation)
- Reduced operating temperatures.
- Power supply autodetection, between 100 and 250 Vac 50/60Hz.
- Data transmission via RS 232 or RS 485 interface.

Technical Specifications:

Power supply 100-250 Vac, 26 W • Electronic Flow Control Manual and Multi-Function • Remote control or manual operation between 0 and 100% (MA) • Dual scale adjustment 0 to 20%, 0 to 100% (MA) • Improved graphical display • Multiple languages • RS485 serial output • Current output 4-20 mA (MF & PLUS) • Galvanic isolation (MF & PLUS) • Pulse Input (MF & PLUS) • PPM control (MF & PLUS) • Alarm Output (MF & PLUS) • Flow Sensor (MF & PLUS) • Manual, 4-20 mA and reed contact control • Relay output alarm Underload – Overload blockage alerts • Weekly Timer 16 cycles per day (MF & PLUS)

eOne MA

- Energy efficient
- Manual Flow Control
- High dosing frequency (300 strokes/min)
- Dual scale adjustment
- Underload & Overload blockage alerts

eOne MF

- Energy efficient multifunction pump
- Perfect for proportional dosing
- Water meter input
- 4-20 mA input
- High dosing frequency (300 strokes/min)
- Underload & Overload blockage alerts

eOne PLUS

- Energy efficient
- All eOne MF functionality
- Built in Cl, pH, CD or Redox control
- High dosing frequency (300 strokes/min)
- Adjustable set points
- Underload & Overload blockage alerts

eOne BASIC

- Energy efficient
- 180 Strokes per Minute
- Manual Flow Control
- Fixed flow rates and pressure
- 32 W Max energy consumption

