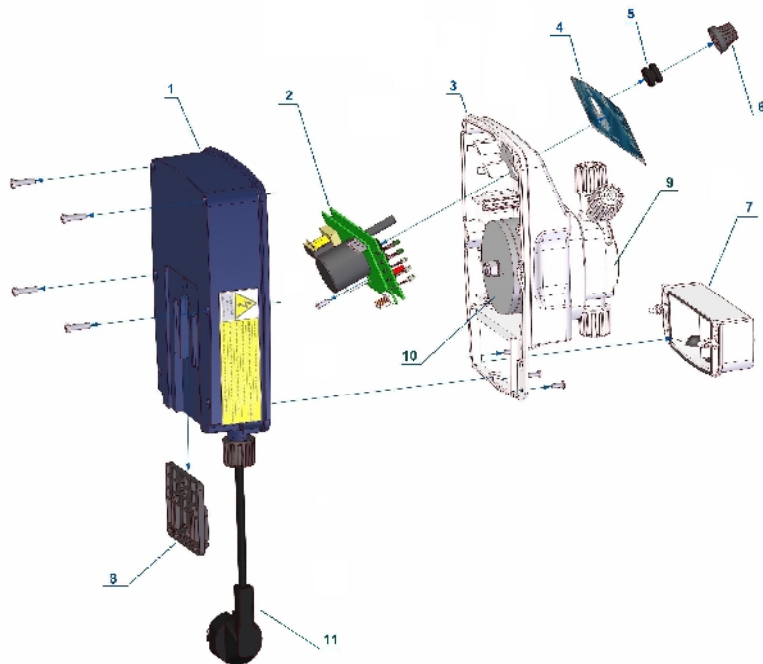
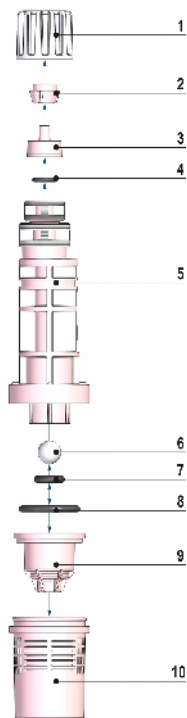


# APPENDIX 2 – EXPLODED VIEWS

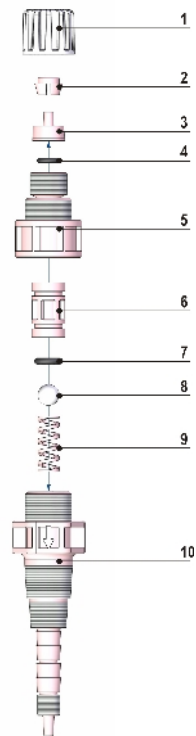


- 1. Plastic casing
- 2. Plastic cover
- 3. Pump head
- 4. Electromagnet
- 5. Pump gasket
- 6. PC-board
- 7. Knob basket
- 8. Adjustment knob
- 9. Flange
- 10. Diaphragm
- 11. Pump head basket
- 12. power cord



- 1. Ring nut
- 2. Bush
- 3. Nozze
- 4. O-ring 106
- 5. Body filter
- 6. Ceramic ball
- 7. O-ring 3030
- 8. O-ring 3081
- 9. Valve seat
- 10. Filterinig basket

## APPENDIX 2 – EXPLODED VIEWS



1. Ring nut
2. Bush
3. Nozzle
4. O-ring 106
5. Injection valve nipple
6. Adapter
7. O-ring 3024/3030
8. Ceramic ball
9. Spring
10. Injection valve body