

HTT

Thermoplastic regenerative mag drive turbine pumps

HTT

Pompe a turbina rigenerativa a trascinamento magnetico in materiali termoplastici



FEATURES

- *Materials available: PP / PVDF;*
- *Plastic injection moulded;*
- *Materials in contact with the liquid:
Casing and impeller: PP/PVDF; O-ring: EPDM/VITON;
Shaft: pure ceramic; Bushing PTFEC;*
- *Max flow: 8 m³/h; Max head 36 mlc;*
- *Temperature: PP: max 70°C – PVDF: max 90°C;*
- *Max viscosity: 200 cSt;*
- *Pressure rating: NP 6;*
- *It handles up to 20% entrained gas.
HTT pump resists cavitation.*

STANDARD

- *Gas threaded In and Out connections;*
- *Static shaft in high purity ceramic;*
- *Chemical resistant PTFE/carbon sleeve bearings;*
- *High torque magnetic coupling;*
- *Direct starting motor.*

OPTIONAL

- *ANSI 150 flanges available;*
- *Baseplate;*
- *Dry-running protection.*

CARATTERISTICHE

- **Materiali disponibili: PP / PVDF**
- **Pompa in materiali plastici stampati;**
- **Materiali a contatto con il liquido:
Corpo e girante: PP/PVDF; O-ring EPDM/VITON;
Albero statico: ceramica pura; Boccola: PTFEC;**
- **Portata fino a 8 m³/h; Prevalenza fino a 36 mcl;**
- **Temperatura massima di esercizio:
PP: 70°C – PVDF: 90°C;**
- **Viscosità massima: 200 cSt;**
- **Pressione nominale massima: PN 6;**
- **Può pompare liquidi con presenza di gas fino al 20%.
Resiste alla cavitazione.**

STANDARD

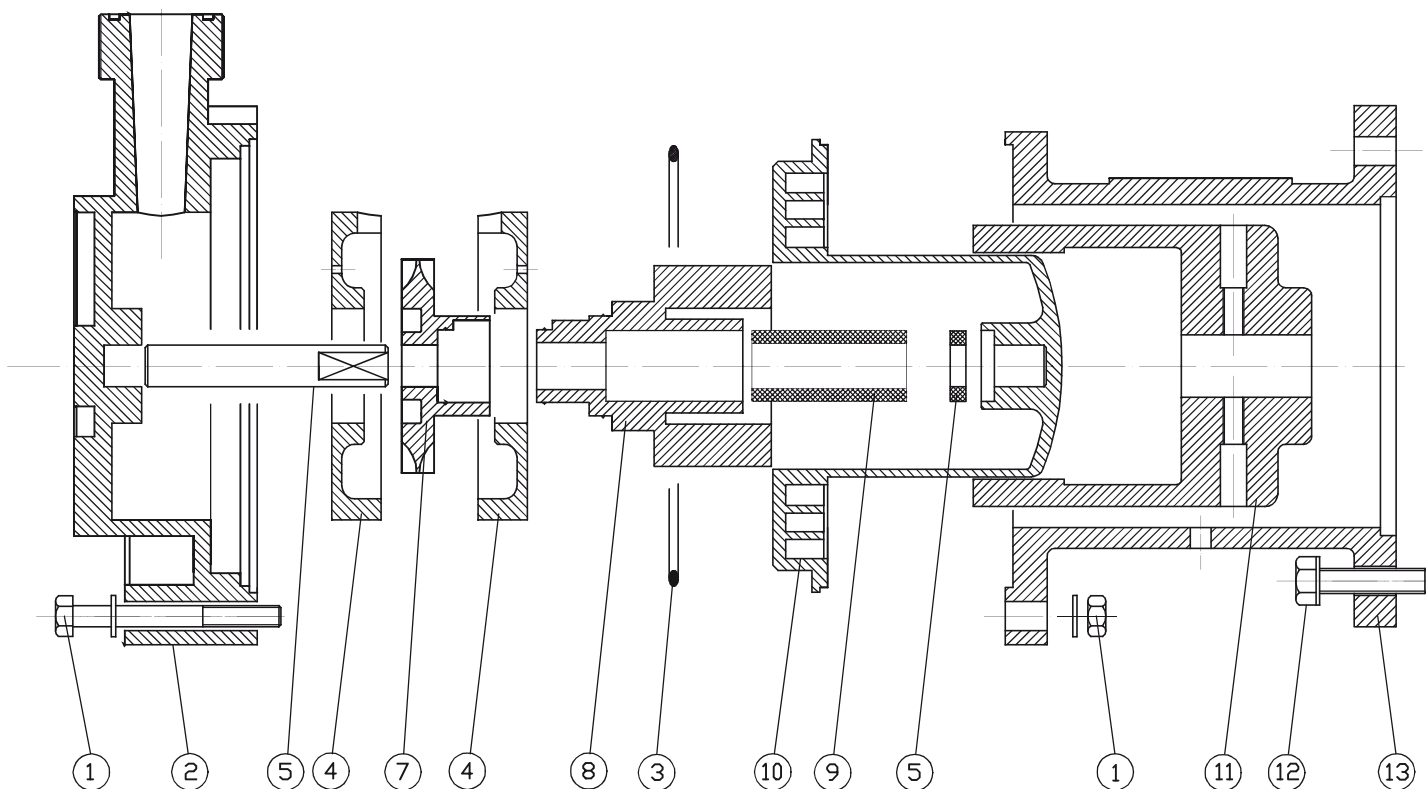
- **Attacchi aspirazione e mandata filettati gas;**
- **Albero statico in allumina pura;**
- **Boccole rotanti in PTFE grafite ad alta resistenza chimica;**
- **Elevata coppia magnetica;**
- **Avviamento diretto.**

OPTIONAL

- **Flange ANSI 150;**
- **Basamento;**
- **Dispositivo contro la marcia a secco.**

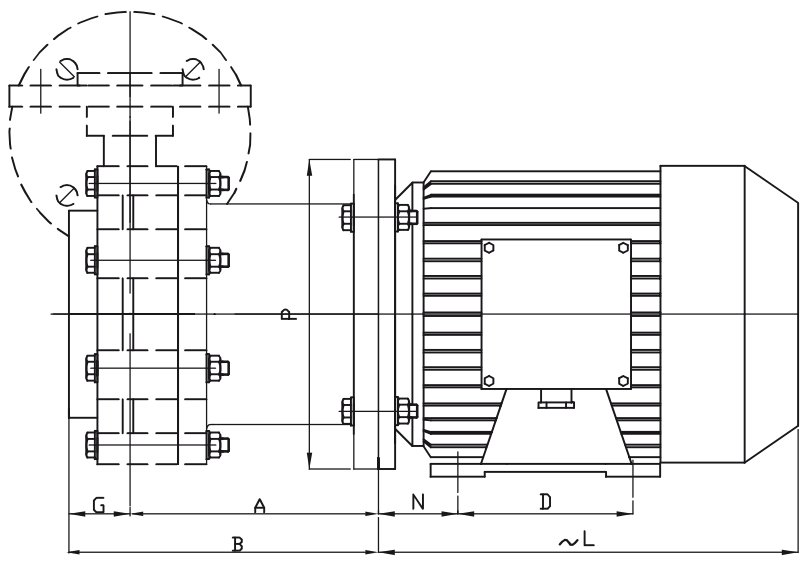
HTT 2000 - 3000 - 5000 - 7000 - 9000 PP/PVDF

SECTION AND PARTS LIST - SEZIONE E LISTA PARTI



POS.	1	2	3	4	5	7	8	9	10	11	12	13
PART. DESCR.	SET SCREWS	PUMP HEAD	O - RING	FRONT AND REAR DISC	SHAFT + RING	IMPELLER	INT. MAGNET	BEARING	REAR CASING	EXT. MAGNET	SCREWS	BRACKET
MATERIALS	AISI 304	PP PVDF	EPDM VITON	PP PVDF	Al ₂ O ₃	PVDF	PP PVDF NdFeb	PTFEC	PP PVDF	C40 NdFeb	AISI 304	PP

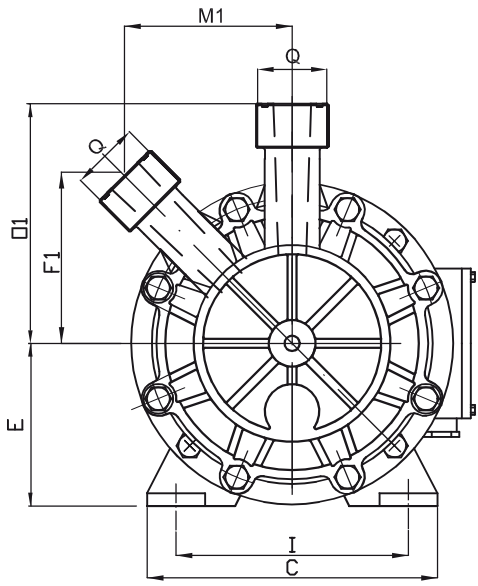
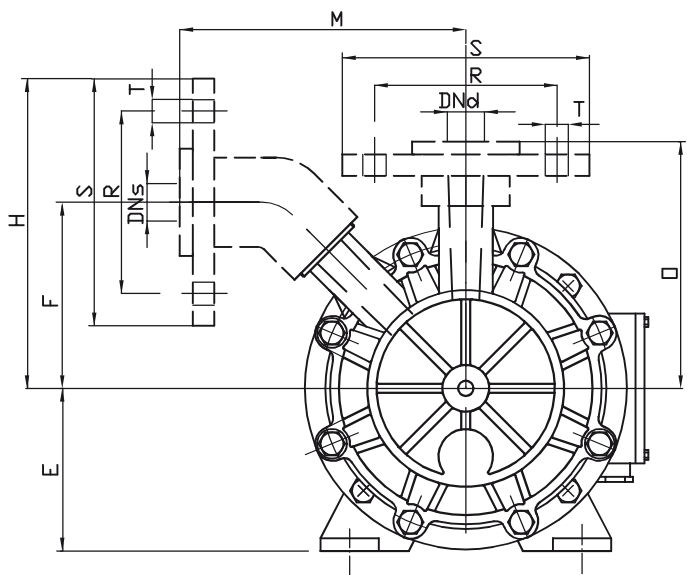
HTT 2000 - 3000 - 5000 - 7000 - 9000 PP/PVDF DIMENSIONS - DIMENSIONI D'INGOMBRO



NOTE:
DIRECTION OF ROTATION IS COUNTER CLOCKWISE
AS SEEN WHEN FACING THE MOTOR.
PUMPS AVAILABLE THREADED OR FLANGED.

PUMP TYPE	FLANGES DIMENSIONS - mm -				
	R	S	T	DN _s	DN _d
HTT 2000	85	115	14	25	25
HTT 3000	85	115	14	25	25
HTT 5000	110	153	18	40	40
HTT 7000	110	153	18	40	40
HTT 9000	110	153	18	40	40

FLANGES
DIN PN 10



PUMP TYPE	MOTOR FLANGE B3 - B5	POT. Kw	DIMENSIONS - mm -																		
			A	B	C	D	E	F	F1	G	H	I	~ L	M	M1	N	O	O1	P	Q	
HTT 2000	G 71 A	0.37	118	146	142	90	71	86	78	28	145	112	192	135	78	45	116	110	160	1" MALE	
HTT 3000	G 71 A	0.37	118	146	142	90	71	86	78	28	145	112	192	135	78	45	116	110	160	1" MALE	
	G 71 B	0.55											215								
HTT 5000	G 80 A	0.75	187	221	160	100	80	110	95	34	187	125	215	189	95.5	50	148	135	200	1" MALE	
	G 80 B	1.1											232								
HTT 7000	G 80 B	1.1	187	221	160	100	80	110	95	34	187	125	232	189	95.5	50	148	135	200	1 1/2" G MALE	
	G 90 S	1.5			170		90						140			255					56
	G 90 L	2.2			125		90						140			280					
HTT 9000	G 90 L	2.2	187	221	170	125	90	110	95	34	187	140	280	189	95.5	56	148	135	200	1 1/2" G MALE	
	G 100	3											207						241		200

HTT PP/PVDF

50 HZ - 2900 RPM CURVES - CURVE 50 HZ - 2900 RPM

