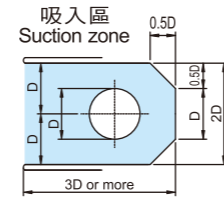


■軸流泵浦進流池的設計參考

SUCTION FLOW ZONE DESIGN REFERENCE FOR SUBMERSIBLE AXIAL PUMP

進流池在設計階段如果形狀和尺寸不適當，從水流動觀點來看有幾項問題，將會造成泵浦嚴重的損壞。特別是水吸入時的表面渦流，將空氣和水的混合吸入；水流動產生的嚴重亂流及構成停滯的區域等。為預防不良情況，把問題降到最低，以下幾項建議應該納入考慮。

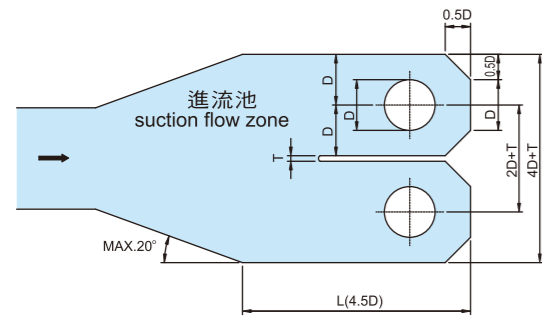
- 吸入的流速的液體應該保持固定 (流速0.3~0.5m/sec)
- 進流池的水深和地形的變化，傾斜的程度是30°~45°。
- 應該要將進流池區域填滿混凝土。
- 若有兩台以上泵浦運轉，整個吸入區需要安裝牆壁保護。
- 若有兩台以上泵浦運轉，進流池必須要避免有任何突然的障礙，適當的偏離角度不可大於20°。



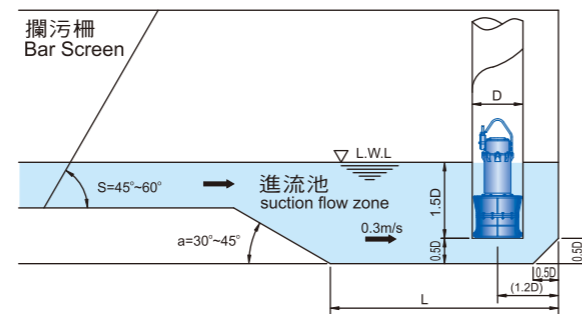
單台泵浦運轉
In case of one pump operation

If the insufficient shape and dimensions of the suction flow zone are adopted at the design stage, and from hydro-dynamical point of view there are severe serious problems might arise. Especially eddy current of the surface water, air mixing with water, heavy turbulence of water flow and the formation of stagnant zone. In order to prevent or to reduce such causes of the problems there are sever things need to considered.

- The liquid of suction flow speed should be kept constant (flow speed 0.3~0.5m/s).
- Suction flow zone of water depth and floor slop variation of slope angle should be 30°~45°.
- Suction flow zone should filling up with concrete.
- In case of two pumps operation, eddy current protection wall must be installed in the suction zone.
- In case of two pumps operation, any sudden obstacles at the suction flow zone must be avoided and Maximum divergent angle must not more than 20°



兩台泵浦運轉
In case of two pumps operation



整個吸入區的需要安裝牆壁保護
In case of eddy current protection device equipped



遊樂區用水
Water supply for amusement park



灌溉用水
Irrigation



低窪地區抽水站
Pump station for low level surface

※由於技術不斷進步，本公司保留修改設計及規格的權利，不另行通知。

經銷商
Agent



沈水式泵浦專業製造廠
河見電機工業股份有限公司



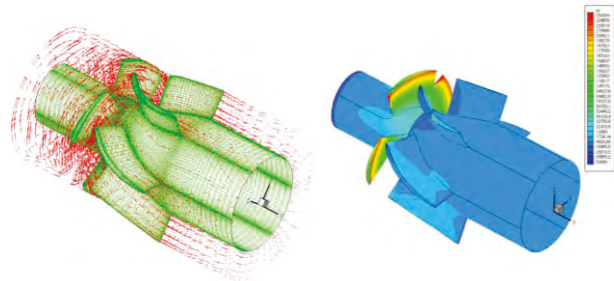
LA型 大型軸流泵浦
SUBMERSIBLE AXIAL PUMP



河見電機工業股份有限公司
HCP PUMP MANUFACTURER CO., LTD.

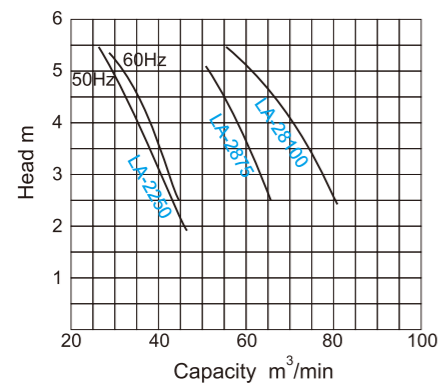
■特點 FEATURES

- 高效率馬達直接傳動葉輪，省電效率高。
 - 泵浦結構堅實，電纜線經EPOXY防水處理、雙組式機械軸封、防塵防水等級IP68，可長期運轉使用。
 - 軸心、葉輪精確平衡，運轉安靜，壽命長。
 - 保護裝置標準配備：馬達溫度過熱保護器，軸封室洩漏檢知器，其他保護裝置可選購。
 - 電腦3D葉輪及導葉流場設計，提升泵浦的效率。
-
- High efficiency motor directly connect to impeller for best energy saving.
 - Pump manufacture with firm structure, cable lead isolated by harden epoxy for water proof, double mechanical seal, and IP68 dust free and water proof for long period of performance.
 - Shaft and impeller is been precisely balance for quiet and long life performance.
 - Standard protector: Miniature thermal protector, mechanical seal leakage detector. other optional protector device can be apply.
 - 3D computerizes impeller and vanes conductive design for higher pump efficiency.



流速分析 Flow analysis 壓力分析 Presssure analysis

■性能曲線 PERFORMANCE CURVES



■50/60Hz 性能規格表 PERFORMANCE SPEC.

型式 Type	馬力 Power HP(kW)	口徑 Dischagre Inch	相數 Phase ∅	啟動方式 Start Method	標準揚程 Head m	標準水量 Capacity m³/min	井筒型 Well type			站立型 Stand type		
							寬度 Width mm	高度 Height mm	重量 Weight kg	寬度 Width mm	高度 Height mm	重量 Weight kg
LA-2250	50(37)	22~24	3∅	Y-△	3/4	40/38	780	1300	850	780	1960	1180
LA-2875	75(55)	28	3∅	Y-△	3.5	60	870	2150	1530	870	2760	2060
LA-28100	100(75)	28	3∅	Y-△	4	70	870	2150	1600	870	2760	2130

■用途 APPLICATIONS

- 工廠進水、供水及排水。
 - 發電廠冷卻用供水。
 - 污水處理系統進水、排放。
 - 水利工程大量抽水、排水。
 - 農業大面積灌溉用水。
 - 其它應用：船塢排水、河流排水。
-
- Water supply or drainage for industrial.
 - Water supply for cooling in the power plant.
 - Drainage of waste water treatment.
 - Used for large volume dewatering.
 - Water supply for agriculture irrigation.
 - Others : Extraction of water from dock and river.

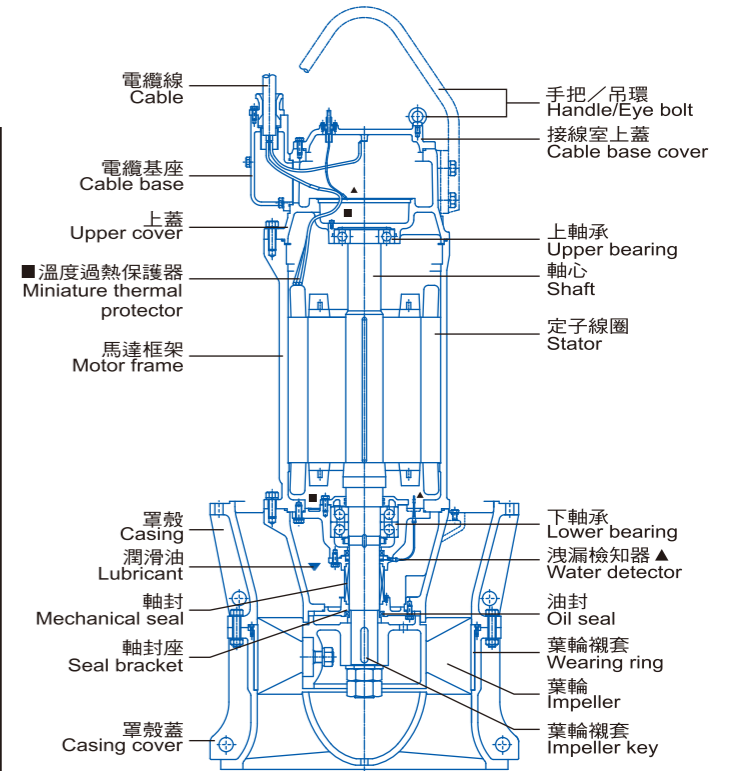


銷售實績 Pump station sale record

■主要標準規格 SPECIFICATION

吸取液 Pumping liquid	口徑 Discharge	550~700 mm
	液溫 Liquid temp.	0~40°C
液質 Liguid nature	雨水、污水、工業用水、灌溉和養殖取水 Waste water、industry drainage、Agriculture irrigation、Aquaculture water	
	葉輪 Impeller	軸流式 Axial
	軸封 Mech. seal	雙組式機械軸封 Double mech. seal
	軸承 Bearing	組合滾珠軸承 Ball bearing
泵浦 Pump	材料 Material	上蓋 Upper cover FC-200
	罩殼 Casing	FC-200
	葉輪 Impeller	Bronze / Stainless steel
	耐磨環 Wear ring	SUS304
	軸封 Mech. seal	SIC+超硬合金 Hard alloy
	保護裝置 Protect equipment	軸封室洩漏檢知 Seal room water detector
電動機 Motor	型式 Type	乾式水中型 Dry motor
	頻率 Frequency	50/60Hz
	相數 Phase 電壓 Volt.	3∅、380~460V
	絕緣 Insulation	F class (155°C)
	保護裝置 Protect equipment	溫度過熱保護器 Miniture thermal protector
材料 Material	外殼 Frame	FC-200
	主軸 Shaft	SUS420J2
	電纜線 Cable	橡膠 Rubber

註：特殊規格可訂製



■洗水式軸流泵優點

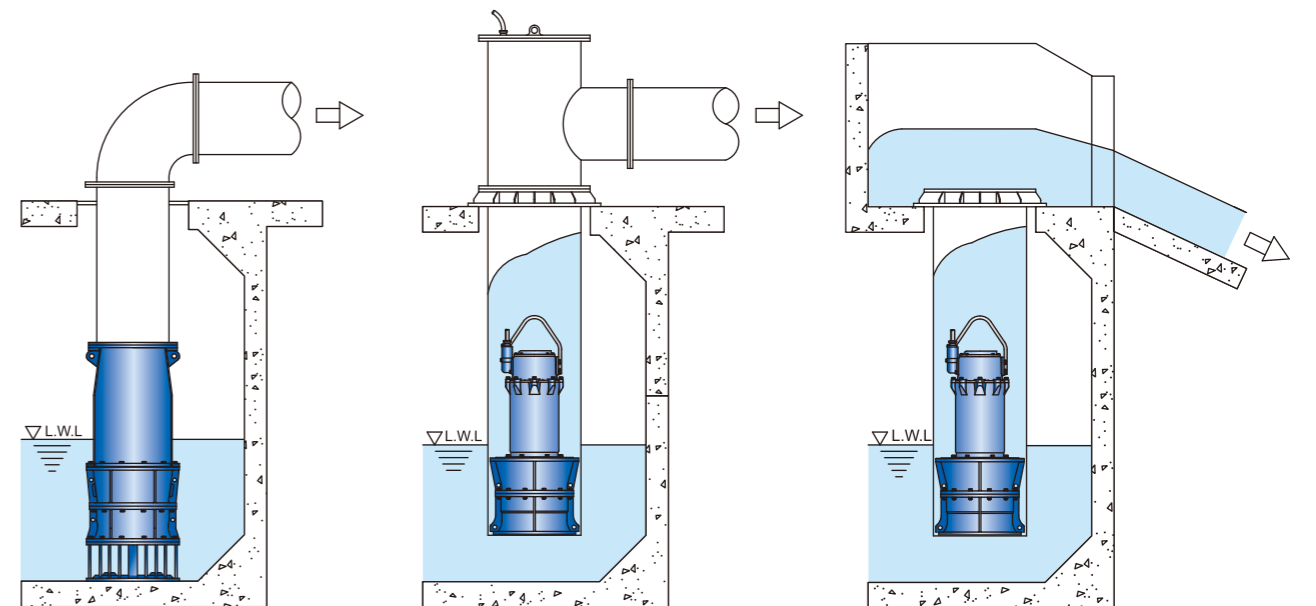
SUBMERSIBLE AXIAL PUMP STATION ADVANTAGES

- 抽水站的設計及結構較簡易。
 - 容易安裝及維修，節省空間。
 - 節省抽水站的建構成本及安裝費用
-
- Sample design and construction for pump station.
 - Frugal space Easier installing and maintaining.
 - Reduce pump station construction and installation expense.

■保護裝置說明 (可選購)

PROTECTOR DESCRIPTION (Optional)

- 溫度過熱保護器：馬達線圈及軸承座可安裝溫度過載保護器，防止馬達因無水運轉或其他異常造成過熱燒損。
- 洩漏檢知器：軸封室、馬達室、接線室可安裝洩漏檢知器，避免因水分滲入而造成馬達燒損或漏電。
- MTP (Miniature Thermal Protector) : Motor winding and bearing bracket can be embed with MTP to prevent motor operating in dry or unusual condition cause motor over heating.
- WD (Water detector): Mechanical Seal chamber, Motor chamber, and wiring chamber can be installing WD to prevent water entering in case failure.



站立型 (管路排放)
Stand type (pipe connect)

井筒型 (管路排放)
Well type (pipe connect)

井筒型 (開放排放)
Well type (Open flow)