

POMPE AUTOADESCANTI AD ANELLO LIQUIDO

LIQUID RING SELF PRIMING PUMPS



CATALOGO
TECNICO

TECHNICAL
CATALOGUE

LIVERANI

INDICE/CONTENTS

■ ■ ■ Tipologia pompe

<i>Pump range</i>	2-19
Pompe Special	2
<i>Special pump type</i>	2
Pompe Special con frizione magnetica	4
<i>Special pump type with magnetic clutch</i>	4
Pompe Nautic	6
<i>Nautic pump type</i>	6
Pompe Nautic con frizione manuale	8
<i>Nautic pump type with hand clutch</i>	8
Pompe MID per motori idraulici	10
<i>MID pump type for hydraulic motors</i>	10
Pompe Lalx con moltiplicatore	12
<i>Lalx pump type with overdrive</i>	12
Elettropompe in bronzo	14
<i>Bronze electric pumps</i>	14
Elettropompe in acciaio inox AISI 316	16
<i>Stainless steel AISI 316 electric pumps</i>	16
Gruppi antideflagranti senza impianto elettrico	18
<i>Explosion proof groups without control panels</i>	18

■ ■ ■ Tabella raccordi acciaio inox

<i>Stainless steel pipe fittings table</i>	20
--	----

■ ■ ■ Accessori

<i>Accessories</i>	21
Carrelli e maniglie per elettropompe	21
<i>Trolley and handle for electric pumps</i>	21
Valvola by-pass	21
<i>Bypass valve</i>	21
Interruttore/invertitore - morsettiera	21
<i>On-off/reverse switch - terminal board connection</i>	21

■ ■ ■ Componenti

<i>Spare parts</i>	22-29
--------------------------	-------

POMPE SPECIAL

SPECIAL PUMP TYPE

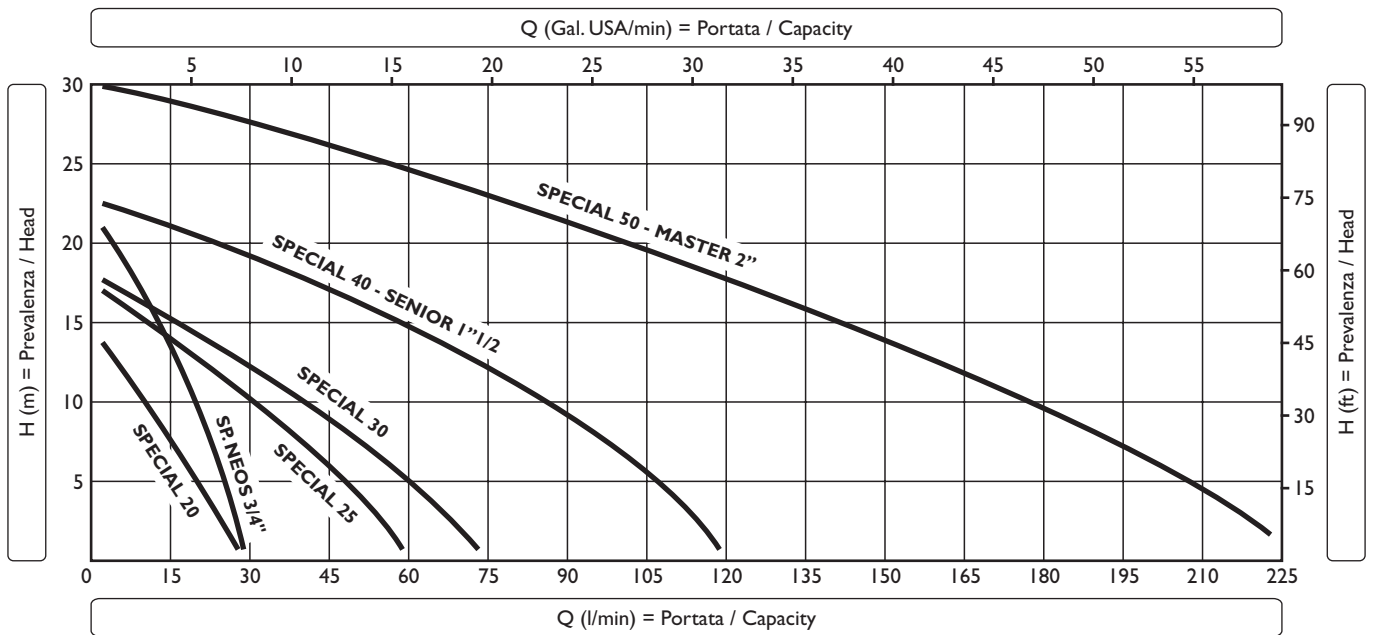
2



SPECIAL 20-25-30-40-50

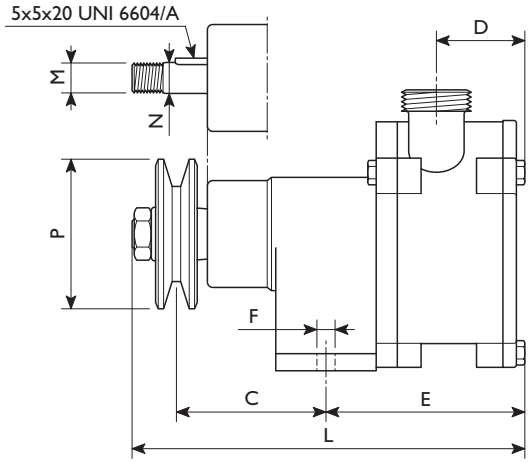
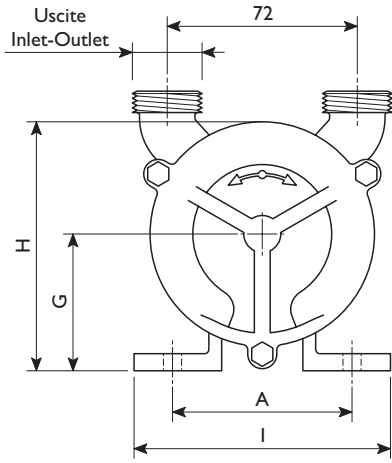


SPECIAL SENIOR 1"1/2-MASTER 2"

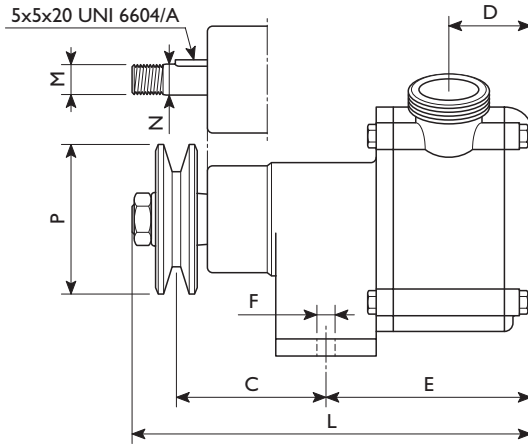
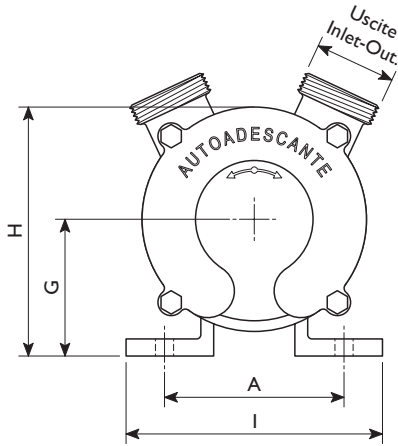


Tipo Type	Codice Code	Materiale Material	Peso Weight	Giri/min Rpm	H (m) = Prevalenza / Head - Q (l/min) = Portata / Capacity															
					0	5	10	12	15	18	22	28	30	H						
SPECIAL 20	51072000	Bronzo/Bronze	2,0 kg	2800	29	20	10	6	0											
SPECIAL 25	51072500	Bronzo/Bronze	2,8 kg	2800	60	50	25	15	8	0										
SPECIAL 30	51073000	Bronzo/Bronze	5,6 kg	1400	75	60	40	30	15	0										
SPECIAL 40	51074000	Bronzo/Bronze	7,3 kg	1400	120	110	85	80	55	45	0									
SPECIAL 50	51075000	Bronzo/Bronze	12,5 kg	1400	230	210	175	155	140	125	85	45	0							
SPECIAL NEOS 3/4"	60070500	Inox AISI 316	1,8 kg	2800	29	23	17	14	13	8	0									
SPECIAL SENIOR 1"1/2	60074000	Inox AISI 316	7,4 kg	1400	120	110	85	80	55	45	0									
SPECIAL MASTER 2"	60075000	Inox AISI 316	12,6 kg	1400	230	210	175	155	140	125	85	45	0							

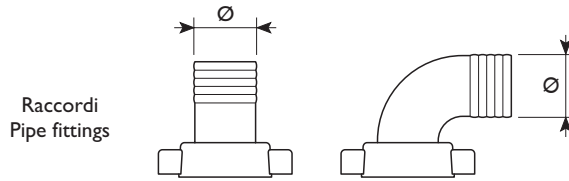
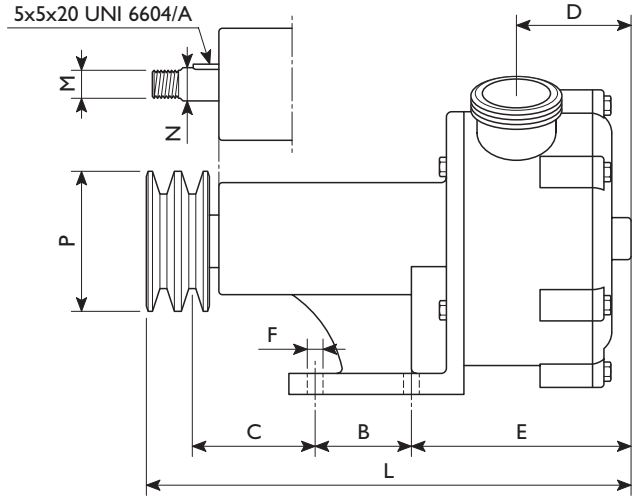
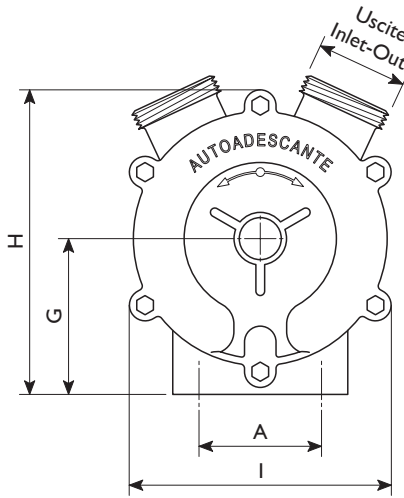
SPECIAL NEOS 3/4"



SPECIAL 20-25



**SPECIAL 30-40-50
SPECIAL SENIOR 1\"/>**



Tipo Type	Uscite Inlet-Outlet	Raccordi Pipe fittings	Dimensioni (mm) / Dimensions (mm)												
			A	B	C	D	E	F	G	H	I	L	M	N	P
SPECIAL 20	BSP-M 3/4"	Ø20	84	-	70	35	81	Ø8.5	56	100	120	172	M14x1.5	Ø14.5	Ø70x1A
SPECIAL 25	BSP-M 1"	Ø25	84	-	70	40	98	Ø8.5	56	108	120	190	M14x1.5	Ø14.5	Ø70x1A
SPECIAL 30	BSP-M 1" 1/4	Ø30 - Ø35	70	55	64	50	103	Ø8.5	89	175	150	254	M16	Ø19	Ø70x1A
SPECIAL 40	BSP-M 1" 1/2	Ø40 - Ø45	70	55	64	67	128	Ø8.5	89	175	150	277	M16	Ø19	Ø80x2A
SPECIAL 50	BSP-M 2"	Ø50	70	55	90	90	160	Ø9	107	210	185	330	M16	Ø19	Ø80x2A
SPECIAL NEOS 3/4"	BSP-M 3/4" *	Ø20 **	84	-	70	34	80	Ø8.5	56	210	185	171	M14x1.5	Ø14.5	Ø70x1A
SPECIAL SENIOR 1" 1/2	BSP-M 1" 1/2 *	Ø40 **	70	55	64	76	138	Ø8.5	89	175	167	287	M16	Ø19	Ø80x2A
SPECIAL MASTER 2"	BSP-M 2" *	Ø50 **	70	55	90	94	165	Ø9	107	210	205	335	M16	Ø19	Ø80x2A

ISO R 52-253

* = Uscite standard BSP (Gas), altre uscite disponibili p.20 / Standard inlet-outlet BSP (Gas), different inlet-outlet are available see p.20
 ** = Raccordi in acciaio inox o nylon a richiesta / Stainless steel or nylon pipe fittings on request

POMPE SPECIAL CON FRIZIONE MAGNETICA

SPECIAL PUMP TYPE WITH MAGNETIC CLUTCH



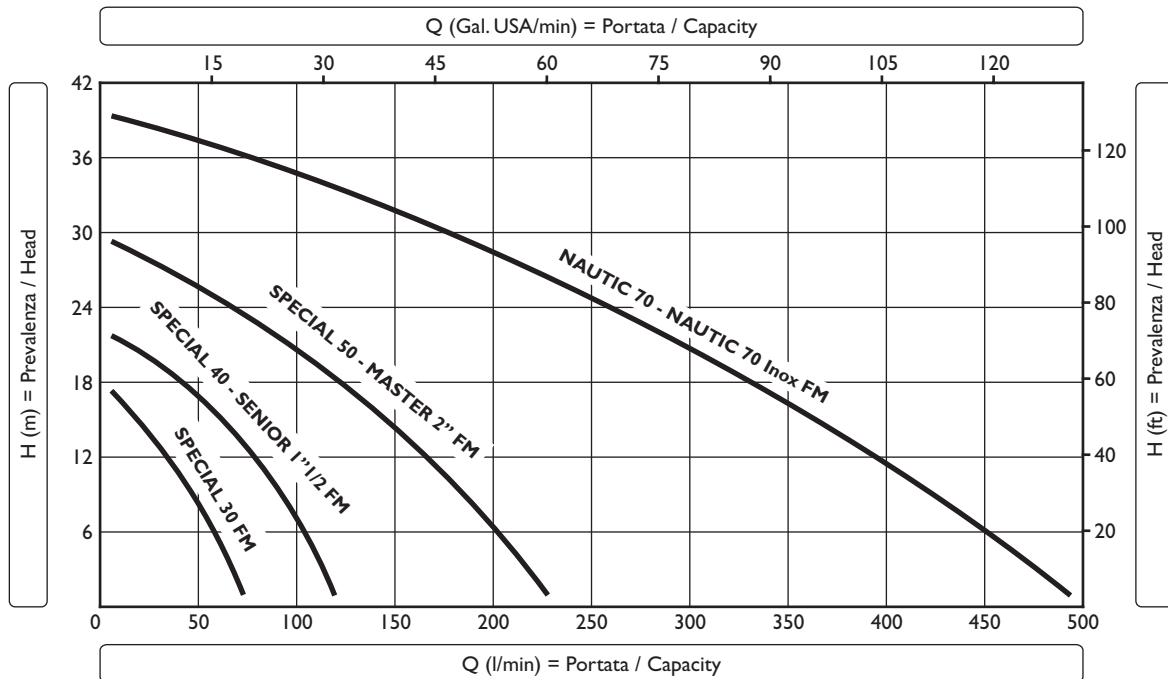
SPECIAL 30-40-50 FM



SPECIAL SENIOR 1"1/2 FM
SPECIAL MASTER 2" FM

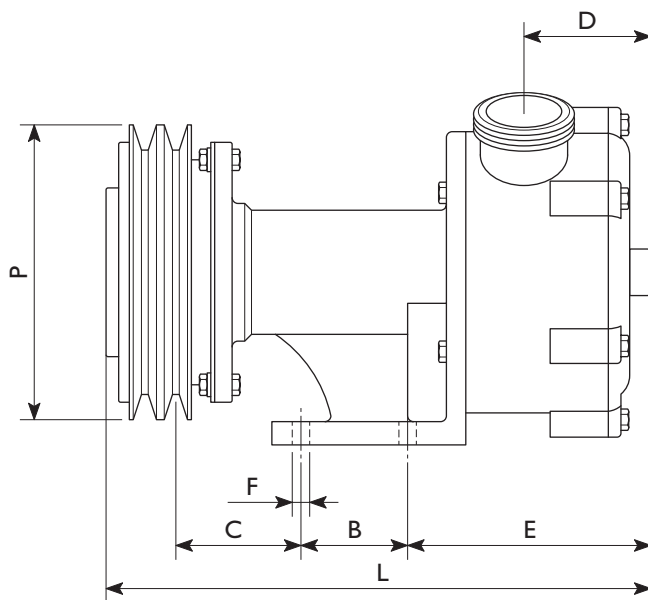
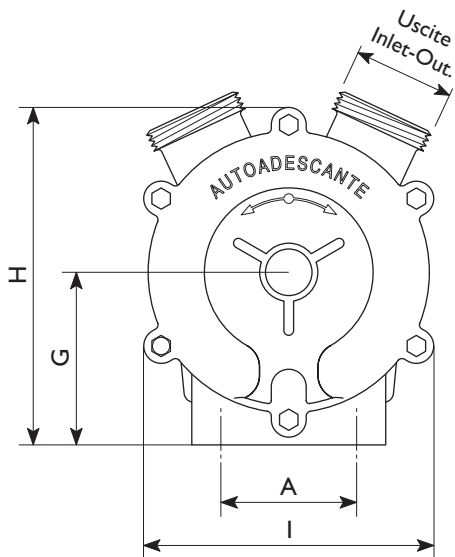


NAUTIC 70 FM

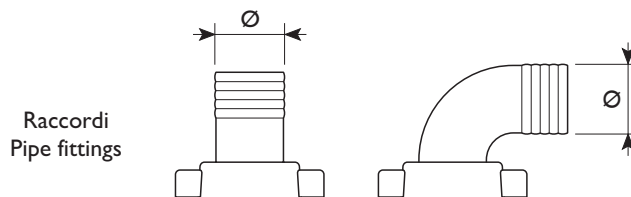
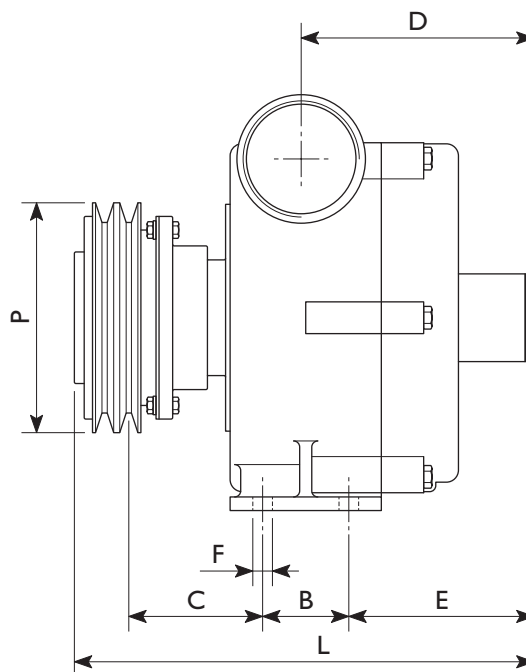
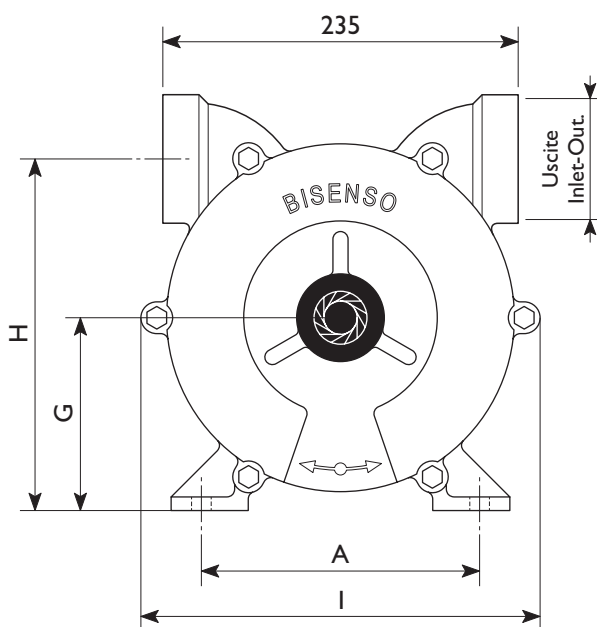


Tipo Type	Codice / Code		Materiale Material	Peso Weight	Giri/min Rpm	H (m) = Prevalenza / Head - Q (l/min) = Portata / Capacity											
	FM 12V	FM 24V				0	5	10	12	15	18	22	28	30	40	H	
SPECIAL 30 FM	51073033	51073034	Bronzo/Bronze	9,8 kg	1400	75	60	40	30	15	0						
SPECIAL 40 FM	51074033	51074034	Bronzo/Bronze	10,3 kg	1400	120	110	85	80	55	45	0					
SPECIAL 50 FM	51075033	51075034	Bronzo/Bronze	16,1 kg	1400	230	210	175	155	140	125	85	45	0			
NAUTIC 70 FM	51137033	51137034	Bronzo/Bronze	28,8 kg	1400	500	460	415	400	370	330	280	230	165	0		
SPECIAL SENIOR 1"1/2 FM	60074033	60074034	Inox AISI 316	10,4 kg	1400	120	110	85	80	55	45	0					
SPECIAL MASTER 2" FM	60075033	60075034	Inox AISI 316	16,2 kg	1400	230	210	175	155	140	125	85	45	0			
NAUTIC 70 Inox FM	60137033	60137034	Inox AISI 316	28,8 kg	1400	500	460	415	400	370	330	280	230	165	0		

SPECIAL 30-40-50 FM
SPECIAL SENIOR 1"1/2 FM
SPECIAL MASTER 2" FM



NAUTIC 70 FM



Tipo Type	Uscite Inlet-Outlet	Raccordi Pipe fittings	Dimensioni (mm) / Dimensions (mm)										
			A	B	C	D	E	F	G	H	I	L	P
SPECIAL 30 FM	BSP-M 1"1/4	Ø30 - Ø35	70	55	68	50	103	Ø8,5	89	175	150	265	Ø152x2A
SPECIAL 40 FM	BSP-M 1"1/2	Ø40 - Ø45	70	55	68	67	128	Ø8,5	89	175	150	288	Ø152x2A
SPECIAL 50 FM	BSP-M 2"	Ø50	70	55	94	90	160	Ø9	107	210	185	345	Ø152x2A
NAUTIC 70 FM	BSP-F 2"1/2	n.d.	184	57	89	144	110	Ø13	128	231	185	286	Ø152x2A
SPECIAL SENIOR 1"1/2 FM	BSP-M 1"1/2 *	Ø40 **	70	55	68	76	138	Ø8,5	89	175	167	298	Ø152x2A
SPECIAL MASTER 2" FM	BSP-M 2" *	Ø50 **	70	55	94	94	165	Ø9	107	210	205	350	Ø152x2A
NAUTIC 70 Inox FM	BSP-M 2"1/2	n.d.	184	57	89	144	110	Ø13	128	231	185	286	Ø152x2A

ISO R 52-253

* = Uscite standard BSP (Gas), altre uscite disponibili p.20 / Standard inlet-outlet BSP (Gas), different inlet-outlet are available see p.20
 ** = Raccordi in acciaio inox o nylon a richiesta / Stainless steel or nylon pipe fittings on request
 n.d. = Raccordi non disponibili / Pipe fittings not available

POMPE NAUTIC

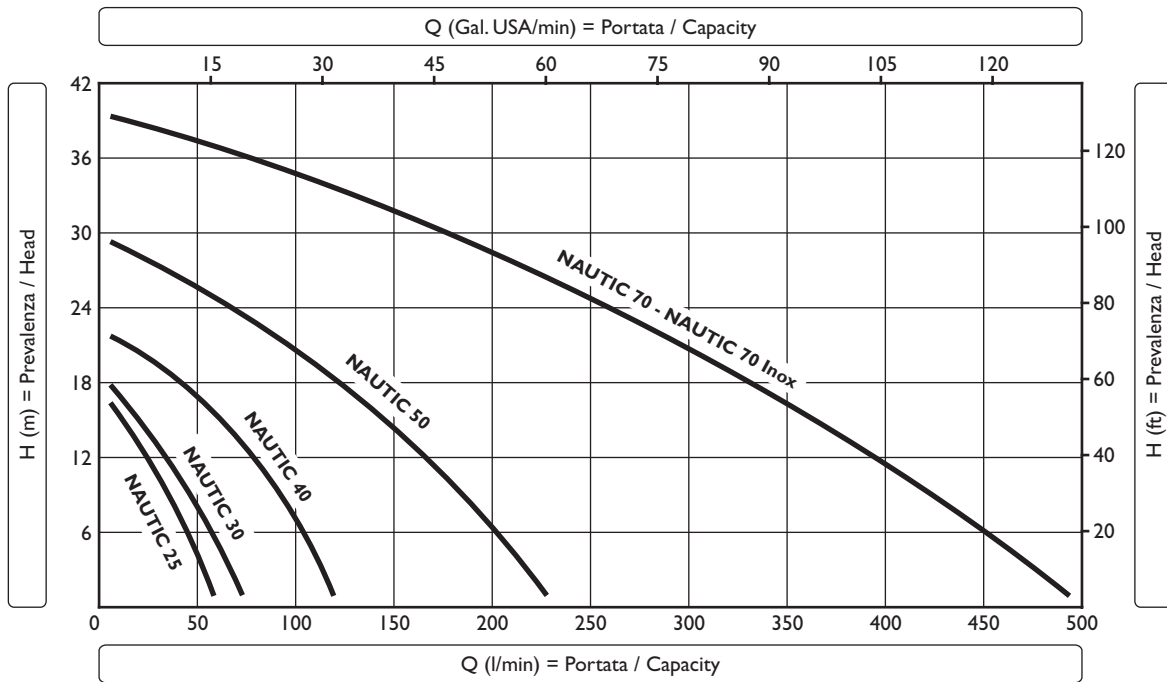
NAUTIC PUMP TYPE



NAUTIC 25-30-40-50

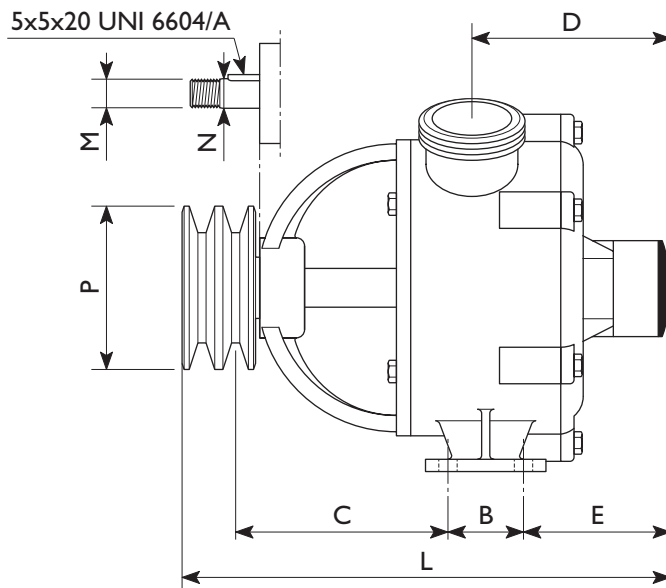
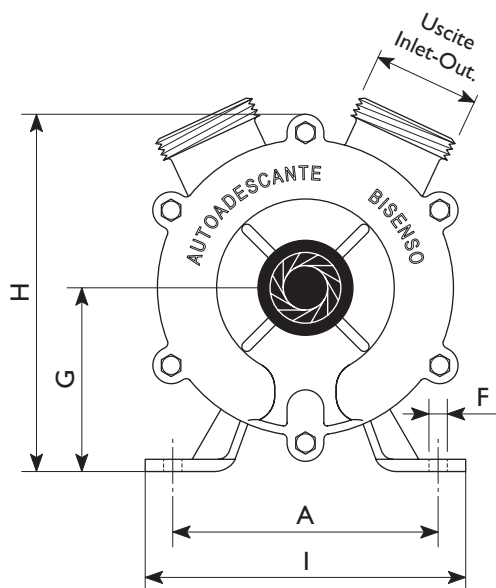
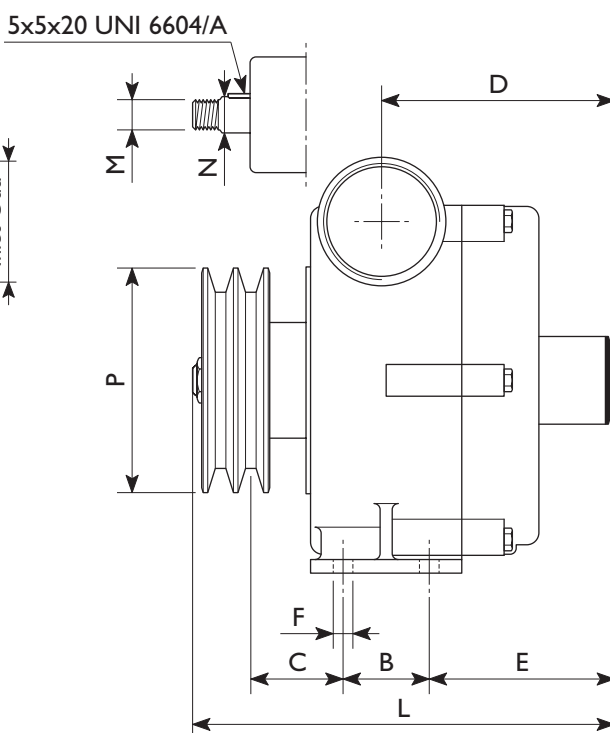
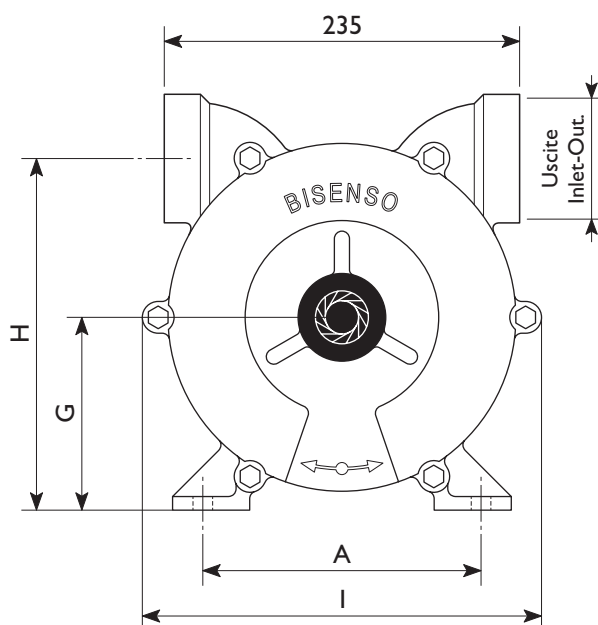
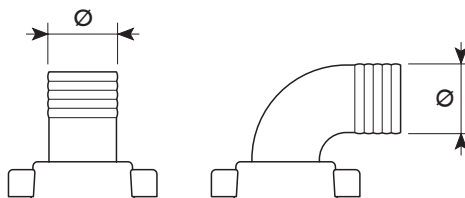


NAUTIC 70



Tipo Type	Codice Code	Materiale Material	Peso Weight	Giri/min Rpm	H (m) = Prevalenza / Head - Q (l/min) = Portata / Capacity										
					0	5	10	12	15	18	22	30	40	H	
NAUTIC 25	51132500	Bronzo/Bronze	4,1 kg	2800	60	50	25	15	8	0					Q
NAUTIC 30	51133000	Bronzo/Bronze	5,7 kg	1400	75	60	40	30	15	0					
NAUTIC 40	51134000	Bronzo/Bronze	7,4 kg	1400	120	110	85	80	55	45	0				
NAUTIC 50	51135000	Bronzo/Bronze	12,8 kg	1400	230	210	175	155	140	125	85	0			
NAUTIC 70	51137000	Bronzo/Bronze	25,3 kg	1400	500	460	415	400	370	330	280	165	0		
NAUTIC 70 Inox	60137000	Inox AISI 316	25,3 kg	1400	500	460	415	400	370	330	280	165	0		

NAUTIC 25-30-40-50

NAUTIC 70
NAUTIC 70 InoxRaccordi
Pipe fittings

Tipo Type	Uscite Inlet-Outlet	Raccordi Pipe fittings	Dimensioni (mm) / Dimensions (mm)												
			A	B	C	D	E	F	G	H	I	L	M	N	P
NAUTIC 25	BSP-M 1"	Ø25	119,5	25	80	80	68	Ø6,75	63	116	140	195	M14x1,5	Ø14,5	Ø70x1A
NAUTIC 30	BSP-M 1"1/4	Ø30 - Ø35	130	28	103	85	70	Ø9	90	175	157	218	M14x1,5	Ø14,5	Ø70x1A
NAUTIC 40	BSP-M 1"1/2	Ø40 - Ø45	130	37	108	105	76	Ø9	90	175	157	245	M14x1,5	Ø14,5	Ø80x2A
NAUTIC 50	BSP-M 2"	Ø50	160	40	138	125	91	Ø11	120	225	188	298	M16	Ø19	Ø80x2A
NAUTIC 70	BSP-F 2"1/2	n.d.	184	57	64	144	110	Ø13	128	231	260	269	M18x1,5	Ø24	Ø149x2B
NAUTIC 70 Inox	BSP-M 2"1/2 *	n.d.	184	57	64	144	110	Ø13	128	231	260	269	M18x1,5	Ø24	Ø149x2B

ISO R 52-253

* = Uscite standard BSP (Gas), altre uscite disponibili p.20 / Standard inlet-outlet BSP (Gas), different inlet-outlet are available see p.20
n.d. = Raccordi non disponibili / Pipe fittings not available

POMPE NAUTIC CON FRIZIONE MANUALE

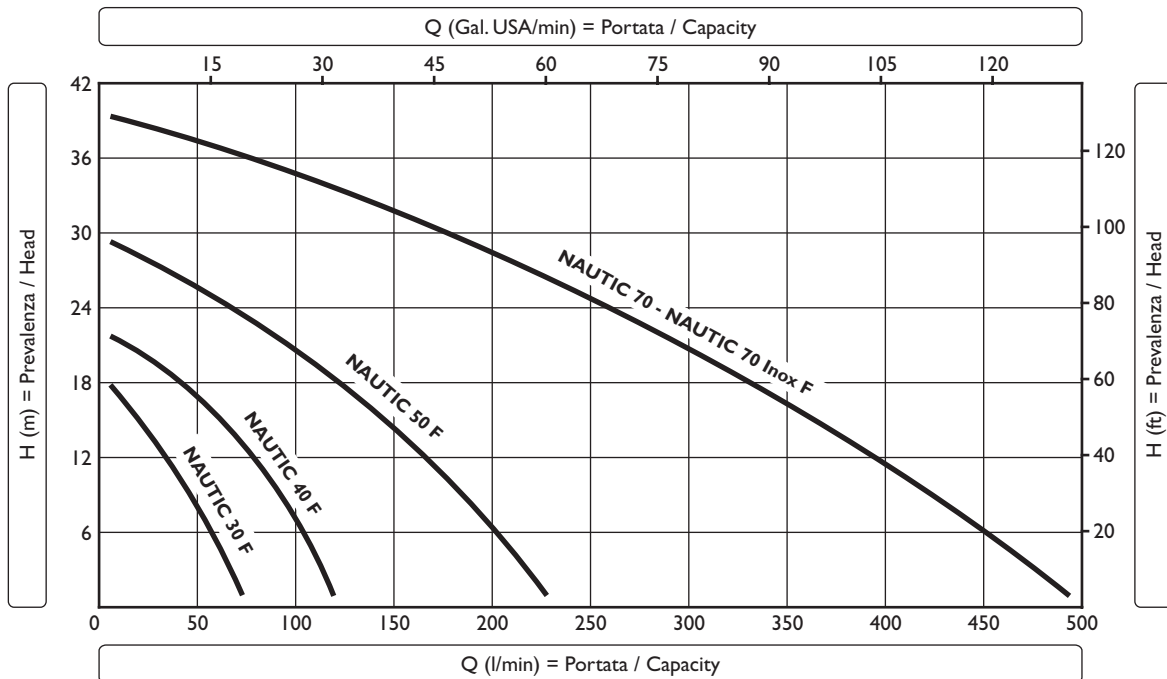
NAUTIC PUMP TYPE WITH HAND CLUTCH



NAUTIC 30-40-50 F

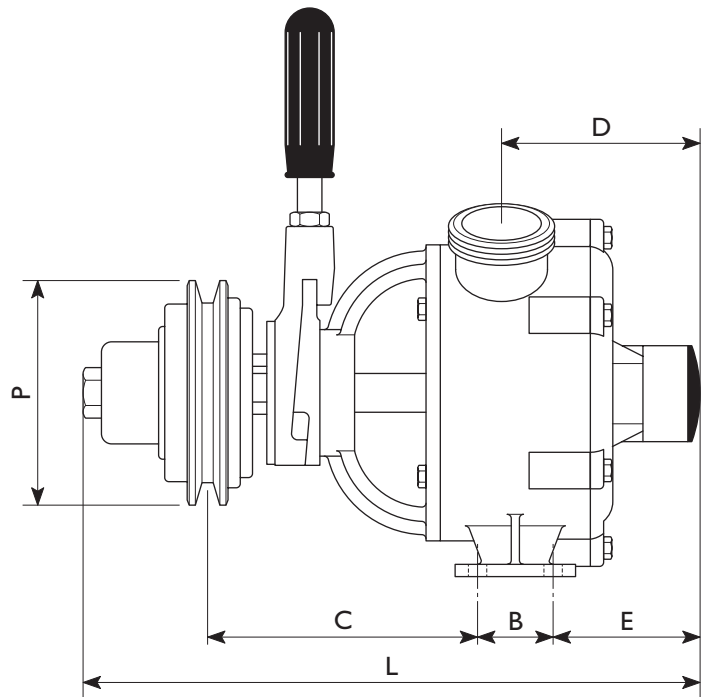
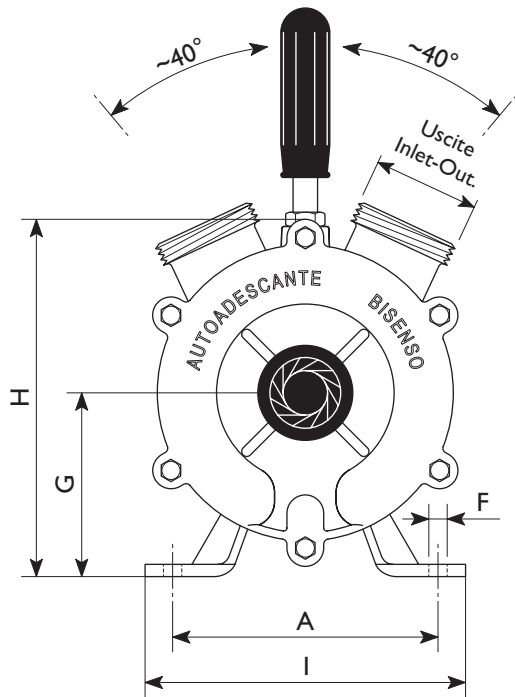


NAUTIC 70 F

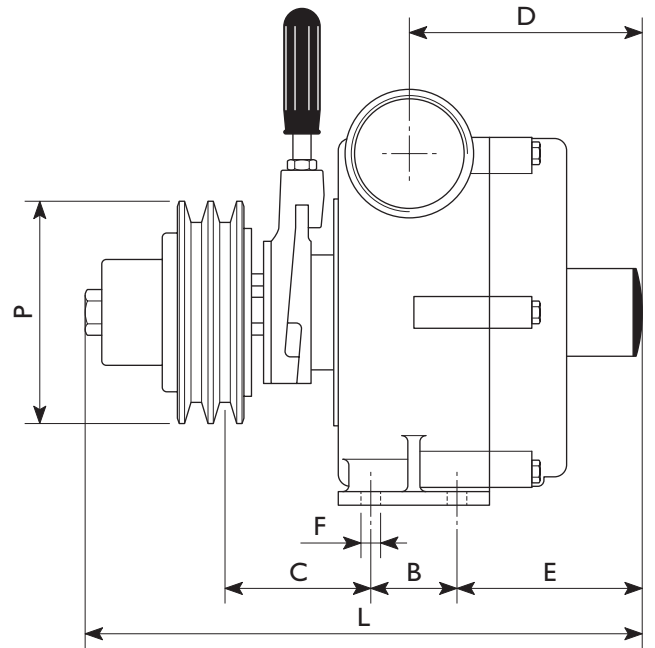
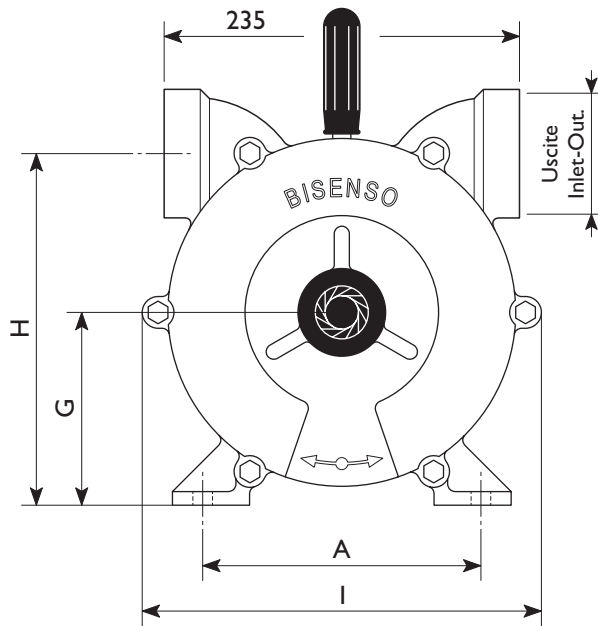


Tipo Type	Codice Code	Materiale Material	Peso Weight	Giri/min Rpm	H (m) = Prevalenza / Head - Q (l/min) = Portata / Capacity											
					0	5	10	12	15	18	22	30	40	H		
NAUTIC 30 F	51143000	Bronzo/Bronze	8,8 kg	1400	75	60	40	30	15	0						
NAUTIC 40 F	51144000	Bronzo/Bronze	10,5 kg	1400	120	110	85	80	55	45	0					
NAUTIC 50 F	51145000	Bronzo/Bronze	15,6 kg	1400	230	210	175	155	140	125	85	0				
NAUTIC 70 F	51147000	Bronzo/Bronze	28,9 kg	1400	500	460	415	400	370	330	280	165	0			
NAUTIC 70 Inox F	60147000	Inox AISI 316	28,9 kg	1400	500	460	415	400	370	330	280	165	0			

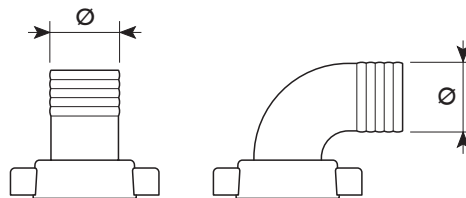
NAUTIC 30-40-50 F



NAUTIC 70 F
NAUTIC 70 Inox F



Raccordi
Pipe fittings



Tipo Type	Uscite Inlet-Outlet	Raccordi Pipe fittings	Dimensioni (mm) / Dimensions (mm)										
			A	B	C	D	E	F	G	H	I	L	P
NAUTIC 30 F	BSP-M 1"1/4	Ø30 - Ø35	130	28	124	85	70	Ø9	90	175	157	280	Ø110x1A
NAUTIC 40 F	BSP-M 1"1/2	Ø40 - Ø45	130	37	130	105	76	Ø9	90	175	157	305	Ø110x1A
NAUTIC 50 F	BSP-M 2"	Ø50	160	40	160	125	91	Ø11	120	225	188	365	Ø110x2A
NAUTIC 70 F	BSP-F 2"1/2	n.d.	184	57	97	144	110	Ø13	128	231	260	355	Ø147x2B
NAUTIC 70 Inox F	BSP-M 2"1/2 *	n.d.	184	57	97	144	110	Ø13	128	231	260	355	Ø147x2B

ISO R 52-253

* = Uscite standard BSP (Gas), altre uscite disponibili p.20 / Standard inlet-outlet BSP (Gas), different inlet-outlet are available see p.20
n.d. = Raccordi non disponibili / Pipe fittings not available

POMPE MID PER MOTORI IDRAULICI

MID PUMP TYPE FOR HYDRAULIC MOTORS

10



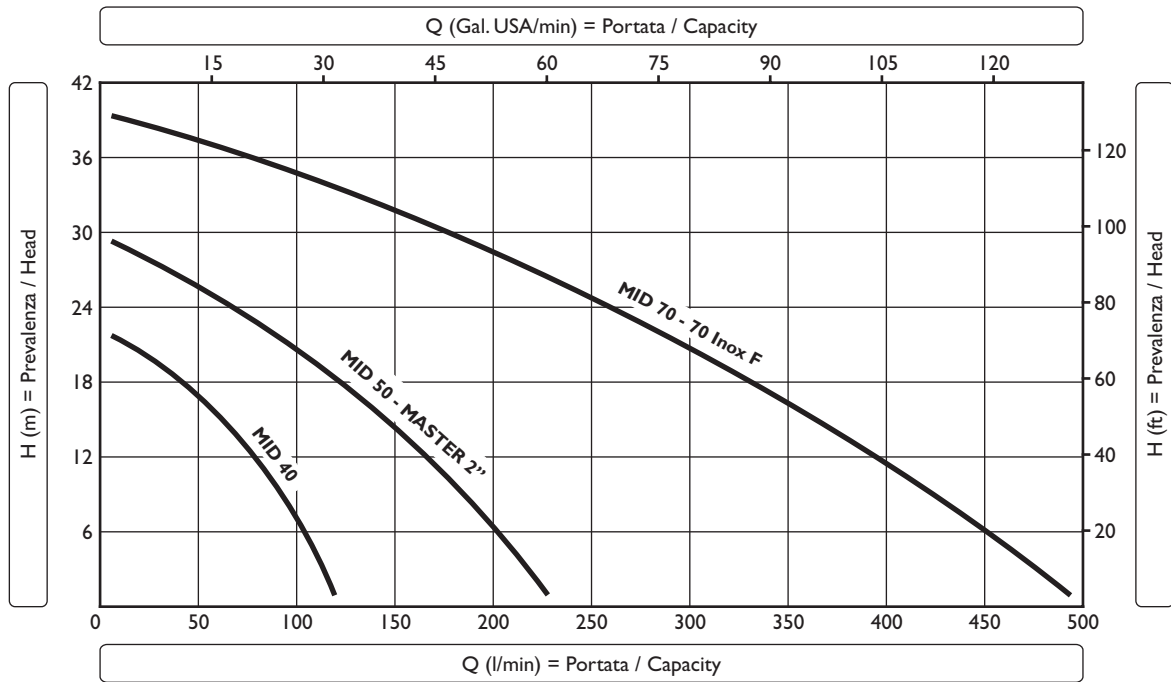
MID 40-50



MID MASTER 2''

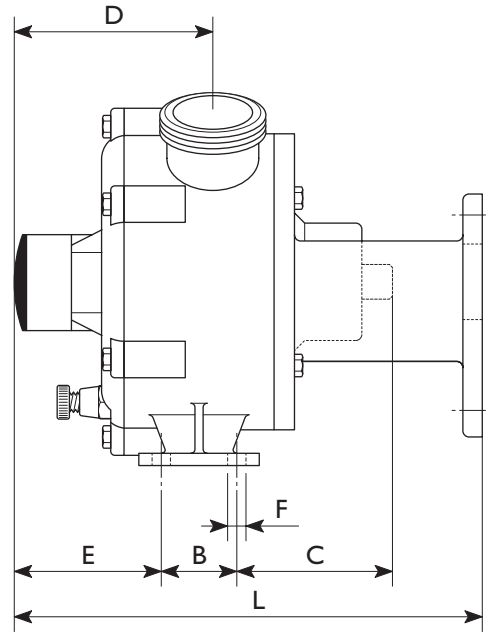
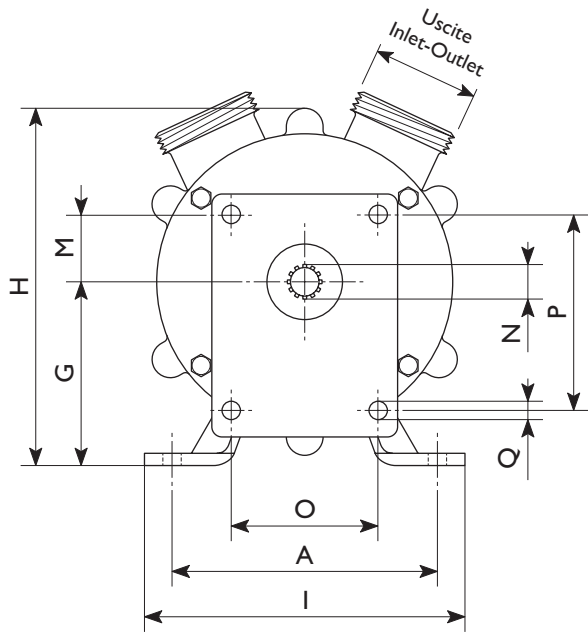


MID 70 Inox

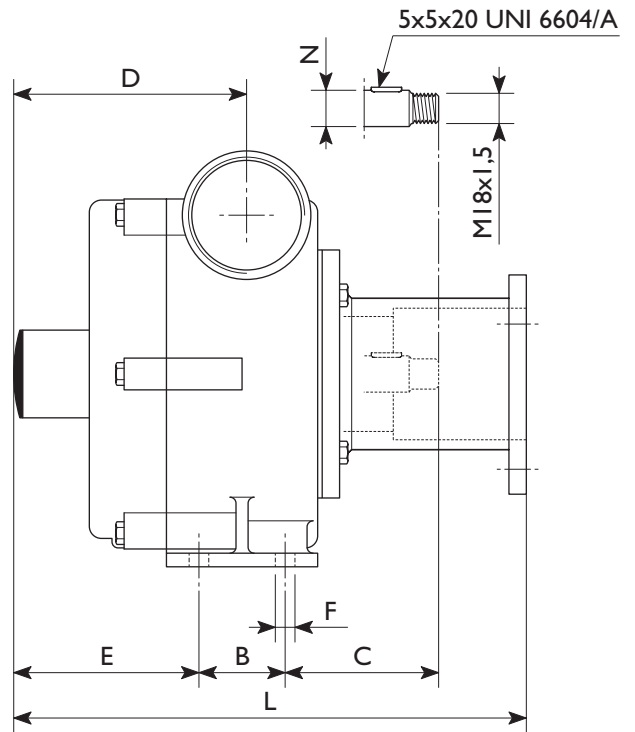
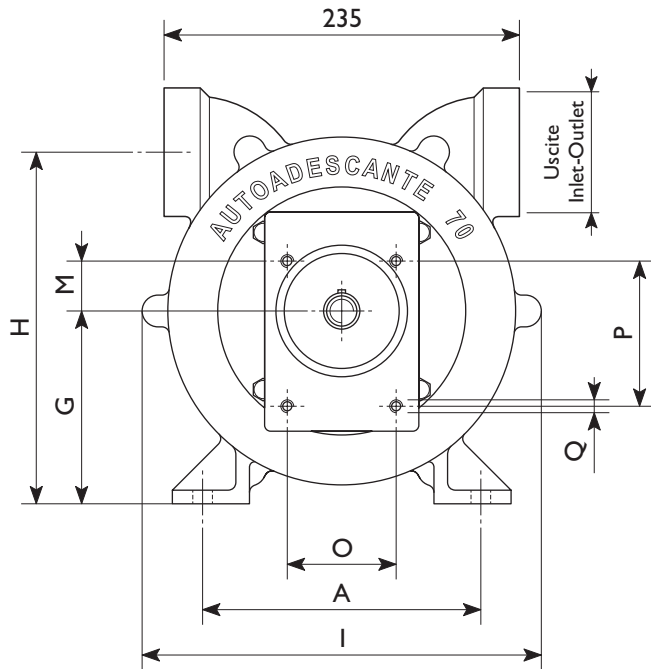


Tipo Type	Codice Code	Materiale Material	Peso Weight	Giri/min Rpm	H (m) = Prevalenza / Head - Q (l/min) = Portata / Capacity										
					0	5	10	12	15	18	22	30	40	H	
MID 40	51134036	Bronzo/Bronze	7,2 kg	1400	120	110	85	80	55	45	0				
MID 50	51135036	Bronzo/Bronze	11,4 kg	1400	230	210	175	155	140	125	85	0			
MID 70	51137036	Bronzo/Bronze	25,5 kg	1400	500	460	415	400	370	330	280	165	0		Q
MID MASTER 2''	60135039	Inox AISI 316	11,3 kg	1400	230	210	175	155	140	125	85	0			
MID 70 Inox	60137039	Inox AISI 316	21,4 kg	1400	500	460	415	400	370	330	280	165	0		

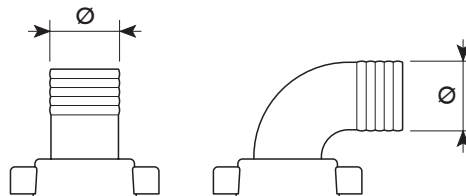
MID 40-50-MASTER 2"



MID 70 - MID 70 Inox



Raccordi
Pipe fittings



Tipo Type	Uscite Inlet-Outlet	Raccordi Pipe fittings	Dimensioni (mm) / Dimensions (mm)														
			A	B	C	D	E	F	G	H	I	L	M	N	O	P	Q
MID 40	BSP-M 1"1/2	Ø40 - Ø45	130	37	78	105	76	Ø9	90	175	157	235	33	Ø16,8 - z14	72	96	Ø9
MID 50	BSP-M 2"	Ø50	160	40	84	125	91	Ø11	120	225	188	265	33	Ø19,8 - z17	72	96	Ø9
MID 70	BSP-F 2"1/2	n.d.	184	57	102	144	110	Ø13	128	231	260	330	33	Ø24	72	96	M8
MID MASTER 2"	BSP-M 2" *	Ø50 **	160	40	85	125	91	Ø11	120	225	188	270	33	Ø19,8 - z17	72	96	Ø9
MID 70 Inox	BSP-M 2"1/2 *	n.d.	184	57	102	144	110	Ø13	128	231	260	330	33	Ø24	72	96	M8

* = Uscite standard BSP (Gas), altre uscite disponibili p.20 / Standard inlet-outlet BSP (Gas), different inlet-outlet are available see p.20

** = Raccordi in acciaio inox o nylon a richiesta / Stainless steel or nylon pipe fittings on request

n.d. = Raccordi non disponibili / Pipe fittings not available

POMPE LALX CON MOLTIPLICATORE

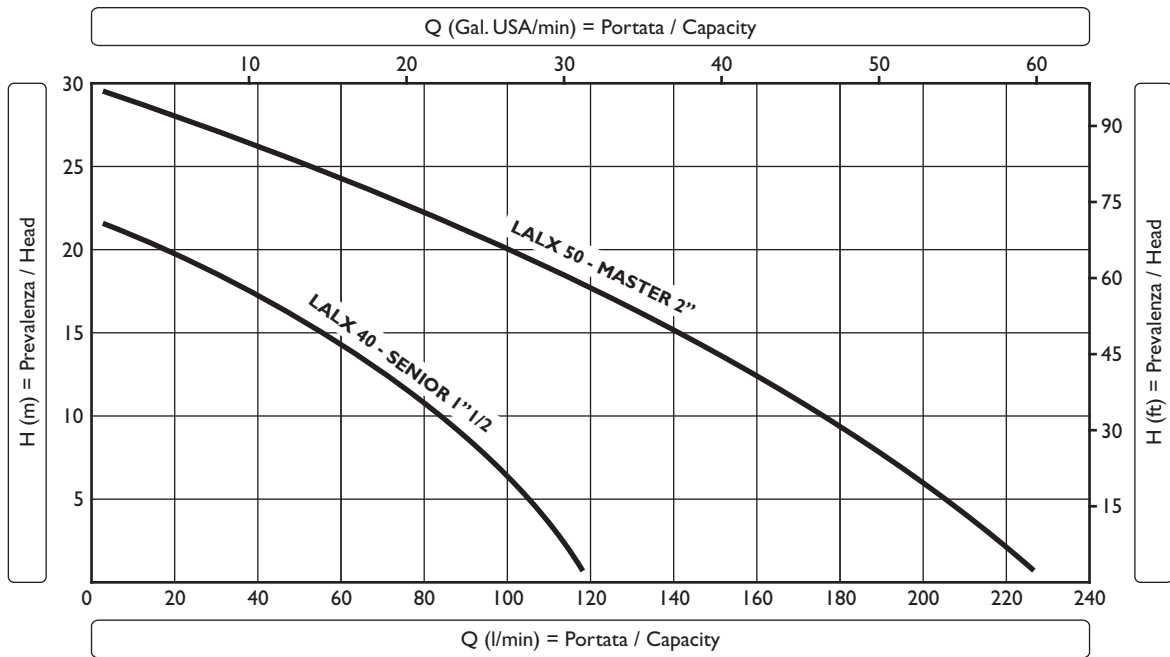
LALX PUMP TYPE WITH OVERDRIVE



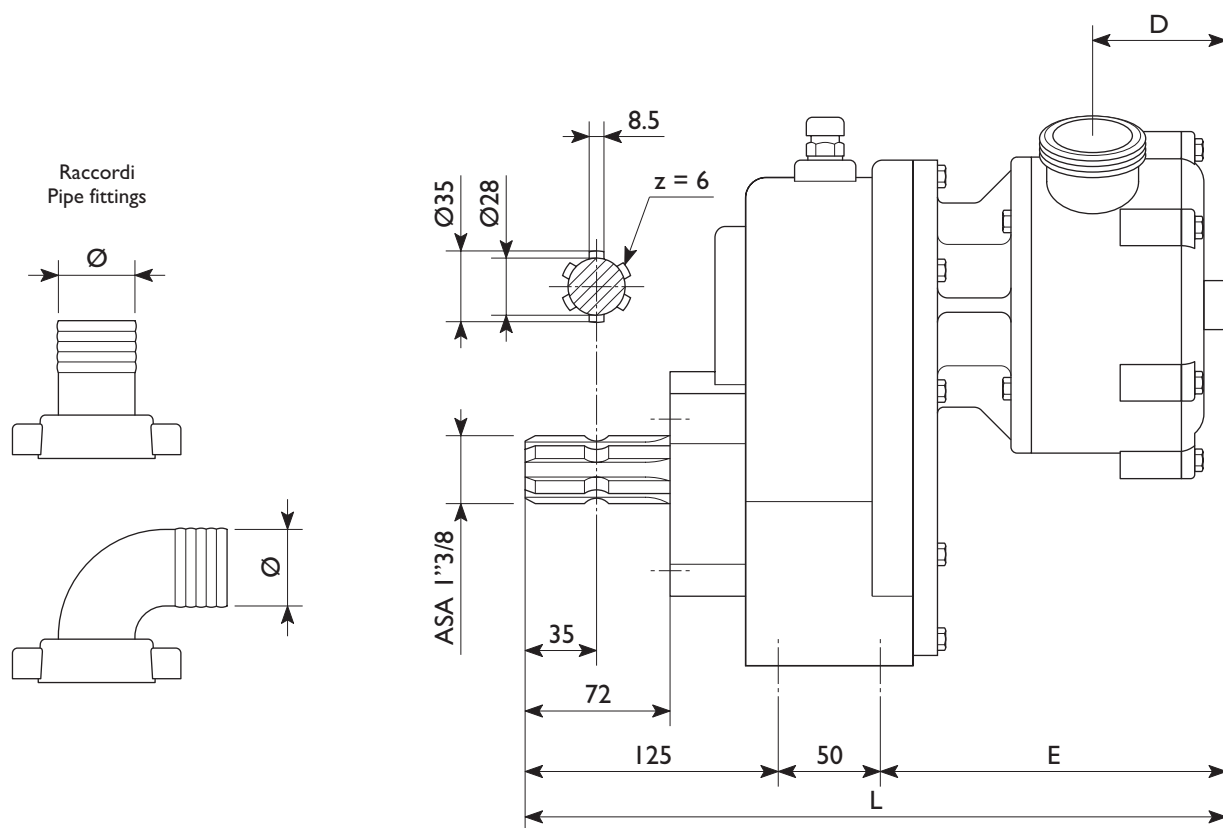
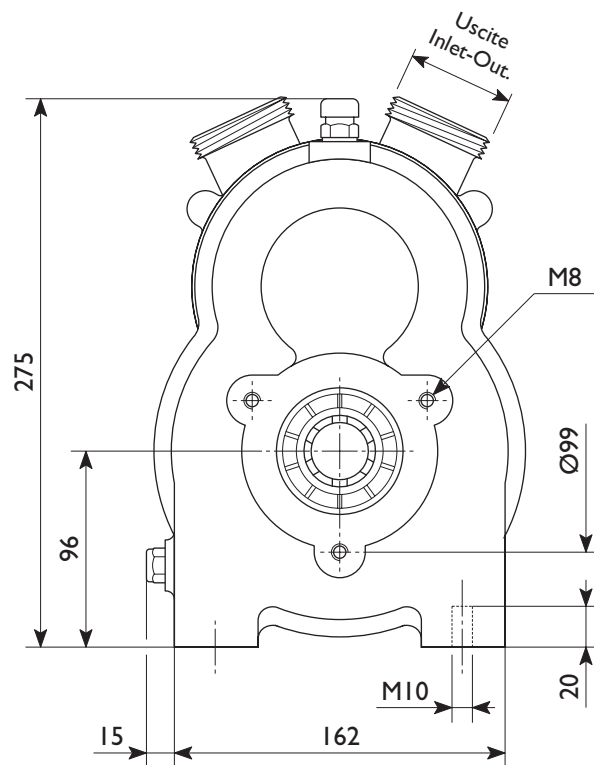
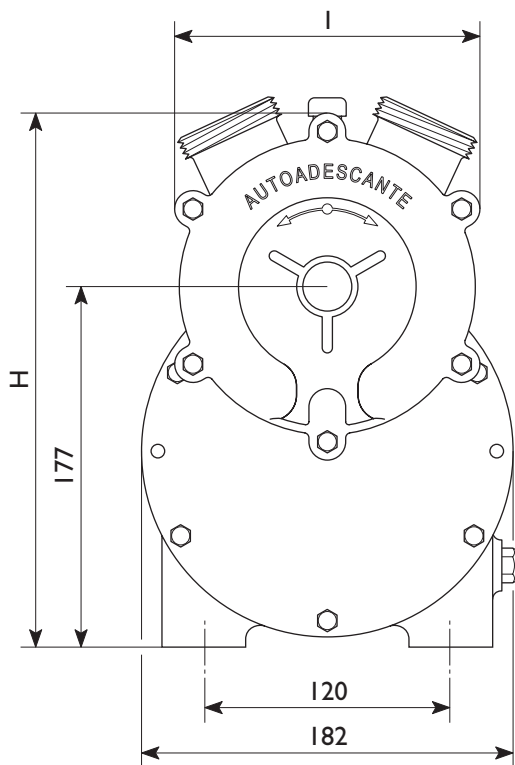
LALX 40-50



LALX SENIOR 1"1/2-MASTER 2"



Tipo Type	Codice Code	Materiale Material	Peso Weight	Giri/min Rpm	H (m) = Prevalenza / Head - Q (l/min) = Portata / Capacity													
					0	5	10	12	15	18	22	28	30	H				
LALX 40	51424000	Bronzo/Bronze	16,5 kg	1400	120	110	85	80	55	45	0							
LALX 50	51425000	Bronzo/Bronze	20,2 kg	1400	230	210	175	155	140	125	85	45	0					
LALX SENIOR 1"1/2	60424000	Inox AISI 316	16,4 kg	1400	120	110	85	80	55	45	0							
LALX MASTER 2"	60425000	Inox AISI 316	20,1 kg	1400	230	210	175	155	140	125	85	45	0					

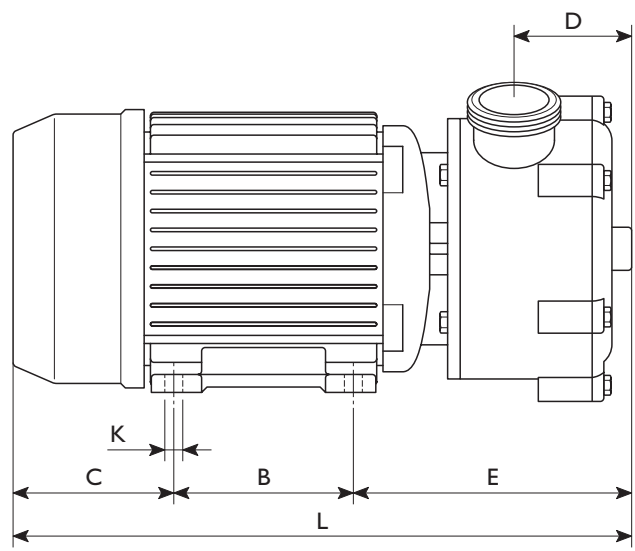
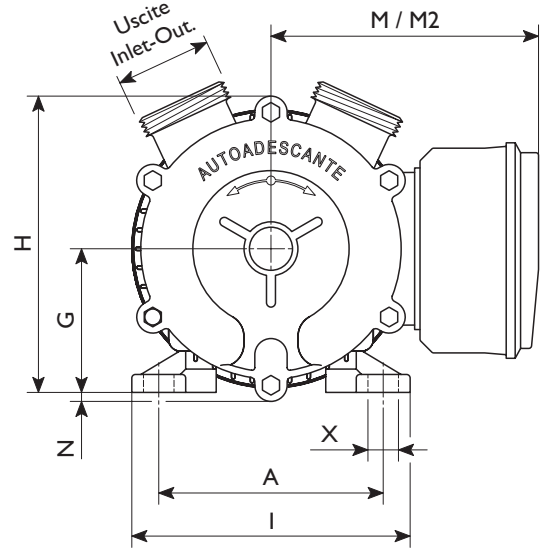


Tipo Type	Uscite Inlet-Outlet	Raccordi Pipe fittings	Dimensioni (mm) / Dimensions (mm)				
			D	E	H	I	L
LALX 40	BSP-M 1"1/2	Ø40 - Ø45	67	171	86	150	346
LALX 50	BSP-M 2"	Ø50	90	203	103	185	378
LALX SENIOR 1"1/2	BSP-M 1"1/2 *	Ø40 **	76	181	86	167	356
LALX MASTER 2"	BSP-F 2" *	Ø50 **	94	208	103	205	383

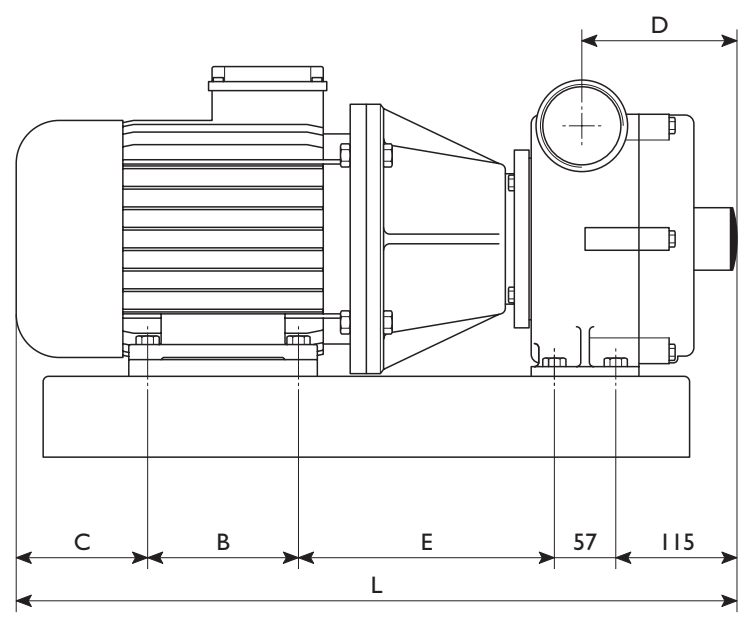
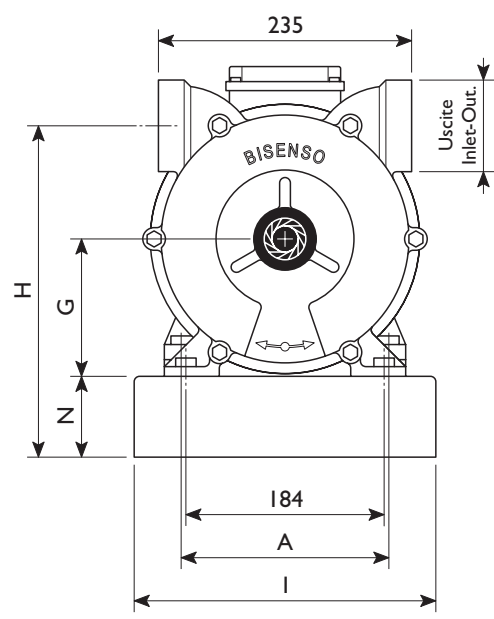
* = Uscite standard BSP (Gas), altre uscite disponibili p.20 / Standard inlet-outlet BSP (Gas), different inlet-outlet are available see p.20

** = Raccordi in acciaio inox o nylon a richiesta / Stainless steel or nylon pipe fittings on request

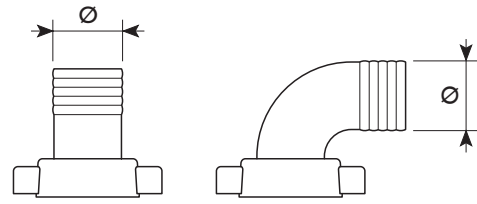
EPH 20-25
EP 20-25-30-40-50



EP 70



Raccordi
Pipe fittings



Tipo Type	Uscite Inlet-Outlet	Raccordi Pipe fittings	Motore Motor	Dimensioni (mm) / Dimensions (mm)													
				A	B	C	D	E	G	H	I	K	L	M*	M2*	N	X
EPH 20	BSP-M 3/4"	Ø20	MF	90	70	70	35	110	56	100	110	7	250	115	105	-	10
EPH 25	BSP-M 1"	Ø25	MF	112	90	78	40	127	71	124	136	7	295	-	105	-	12
EP 20	BSP-M 3/4"	Ø20	CC	100	80	100	35	115	63	106	120	7	295	-	105	-	12
			MF/TF	90	70	70	35	110	56	100	110	7	250	135	105	-	10
EP 25	BSP-M 1"	Ø25	CC	112	90	103	40	127	71	124	130	8	320	-	110	-	12
			MF/TF	112	90	88	40	127	71	124	136	8	305	145	110	-	12
EP 30	BSP-M 1" 1/4	Ø30 - Ø35	CC	125	100	135	50	140	80	165	160	8	375	-	125	5	16
			MF/TF	125	100	90	50	140	80	165	155	10	330	155	125	5	17.5
EP 40	BSP-M 1" 1/2	Ø40 - Ø45	CC	140	125	185	67	180	90	175	175	10	490	-	130	-	17.5
			MF/TF	125	100	90	67	162	80	165	155	10	352	155	125	5	17.5
EP 50	BSP-M 2"	Ø50	CC	140	125	137	90	180	90	194	175	10	442	-	-	14	17.5
			MF/TF	140	125	100	90	210	90	194	175	10	435	160	130	14	17.5
EP 70	BSP-F 2" 1/2	n.d.	TF 5.5 kW	190	140	148	144	245	128	306	280	11	705	-	-	75	18
			TF 7.5 kW	216	178	155	144	280	156	334	280	11	785	-	-	75	18

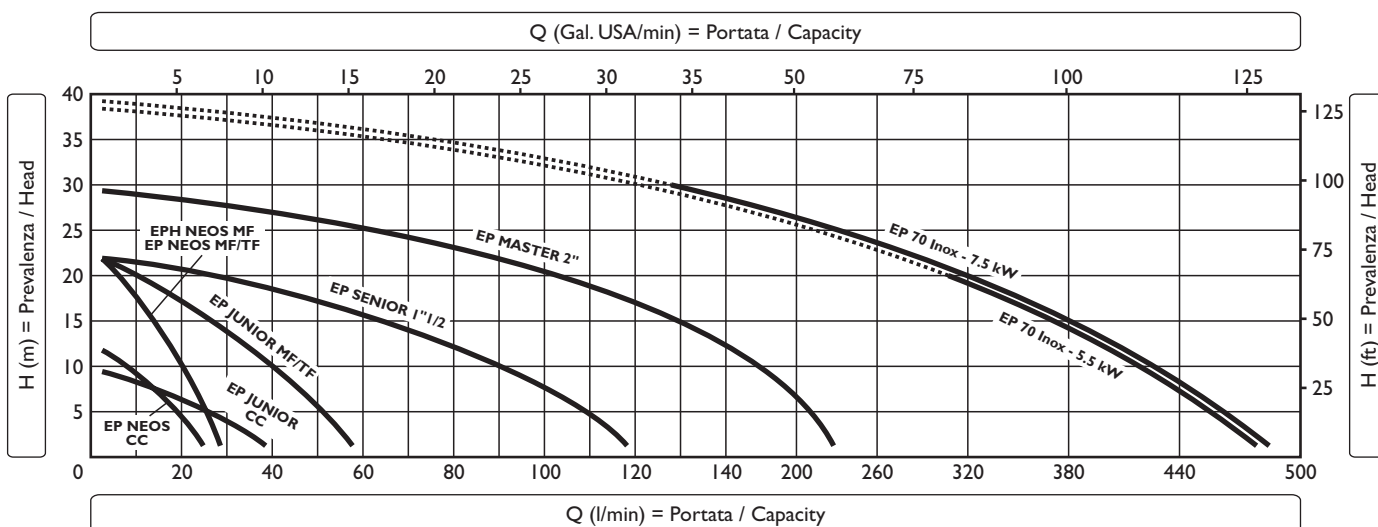
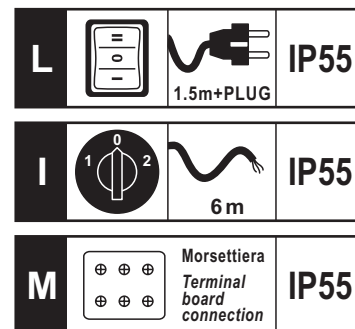
n.d. = Raccordi non disponibili / Pipe fittings not available

M* = interruttore/invertitore-portacondensatore / on-off reverse switch-capacitor box - M2* = morsettiera / terminal board connection

ELETTROPOMPE IN ACCIAIO INOX AISI 316

STAINLESS STEEL AISI 316 ELECTRIC PUMPS

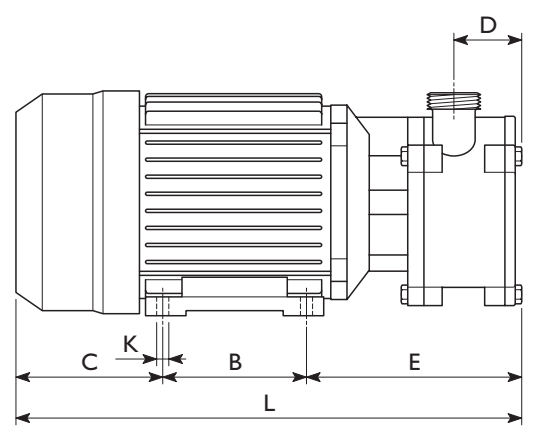
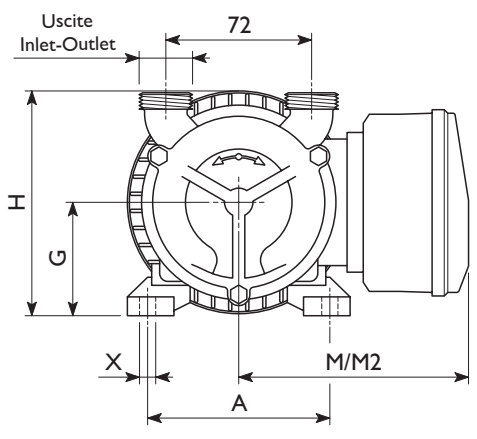
16



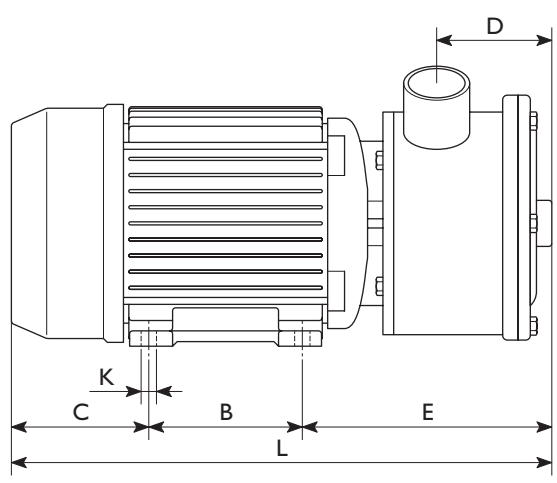
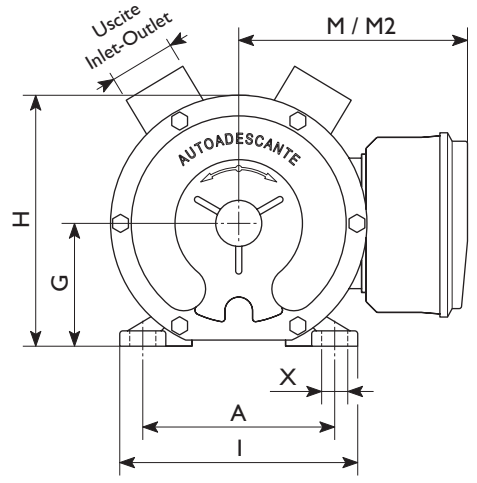
Tipo Type	Codice Code	Peso Weight	Maniglia Handle	Motore * - Motor *				Giri/min Rpm	H (m)=Prevalenza/Head - Q (l/min)=Portata/Capacity								
				Tipo / Type	Volt	HP	kW		0	5	10	12	20	22	30	40	H
EPH NEOS 3/4"	60200548H	4,9 kg	X	L	MF	230V	0,3	0,22	2800	29	23	17	14	10	0		
EP NEOS 3/4" T	60400549T	4,7 kg	●	M	CC	12V / 36A	0,45	0,33	3000	36	30	20	17	3	0		
	60410549T	4,7 kg	●	M	CC	24V / 22A	0,45	0,33	3000	36	30	20	17	3	0		
EP NEOS 3/4"	60400549	4,7 kg	●	M	CC	12V / 26A	0,45	0,33	2000	25	18	5	0				
	60410549	4,7 kg	●	M	CC	24V / 14A	0,45	0,33	2000	25	18	5	0				
	60200548	5,1 kg	X	I	MF	230V	0,3	0,22	2800	29	23	17	14	10	0		
	60300548	5,1 kg	X	I	TF	230-400V	0,35	0,26	2800	29	23	17	14	10	0		
60300550	4,7 kg	X	M	TF													
EP JUNIOR 1 1/4	60401000	9,1 kg	●	M	CC	12V / 32A	0,5	0,37	2000	43	25	0					
	60411000	9,3 kg	●	M	CC	24V / 20A	0,5	0,37	2000	43	25	0					
	60201000	9,5 kg	X	I	MF	230V	0,6	0,45	2800	58	47	34	19	5	0		
	60301000	9,6 kg	X	I	TF	230-400V	0,75	0,56	2800	58	47	34	19	5	0		
	60301001	8,7 kg	X	M													
EP SENIOR 1 1/2	60414000	19,9 kg	●	M	CC	24V / 45A	1,5	1,12	1400	120	110	85	55	30	0		
	60204000	15,9 kg	X	I	MF	230V	1	0,75	1400	120	110	85	55	30	0		
	60204100	17,5 kg	X	I	MF	230V	1,5	1,12	1400	120	110	85	55	30	0		
	60304000	15,6 kg	X	I	TF	230-400V	1	0,75	1400	120	110	85	55	30	0		
	60304100	17,6 kg	X	I	TF	230-400V	1,5	1,12	1400	120	110	85	55	30	0		
	60304101	16,9 kg	X	M													
EP MASTER 2"	60415000	35,5 kg	n.d.	M	CC	24V / 95A	2	1,5	1400	230	210	175	140	90	85	0	
	60205100	27,5 kg	n.d.	I	MF	230V	2,5	1,86	1400	230	210	175	140	90	85	0	
	60305100	26,5 kg	n.d.	I	TF	230-400V	2,5	1,86	1400	230	210	175	140	90	85	0	
	60305101	26,0 kg	n.d.	M	TF												
EP 70 Inox	60377081	75,0 kg	n.d.	M	TF	230-400V	7,5	5,5	1400	500	460	415	370	295	280	165	0
	60377181	87,0 kg	n.d.	M	TF	230-400V	10	7,5	1400	500	460	415	370	295	280	165	0

● = Pompe con maniglia inclusa - Pumps with handle included / X = disponibile a richiesta - available on request / n.d. = non disponibile - not available
 * MF = Monofase / Single Phase - TF = Trifase / Three Phase - CC = Corrente Continua / Direct Current

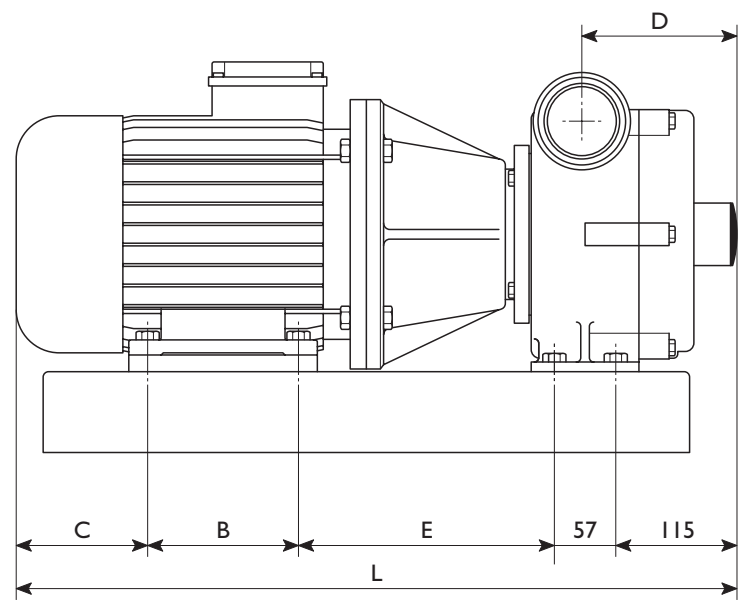
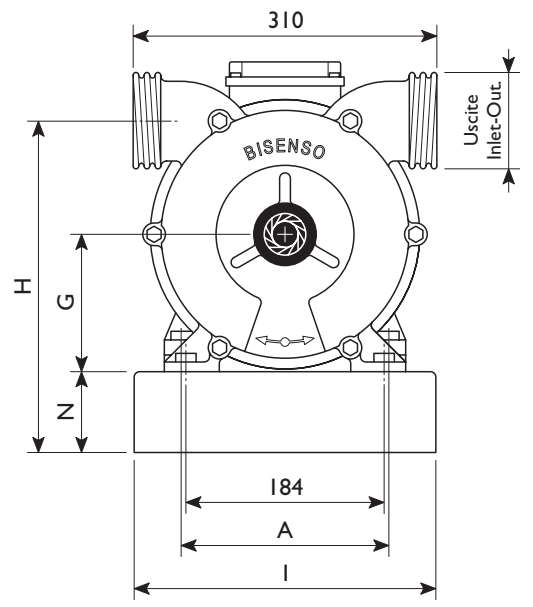
**EPH NEOS 3/4"
EP NEOS 3/4"**



**EP JUNIOR 1"1/4
EP SENIOR 1"1/2
EP MASTER 2"**



EP 70 Inox



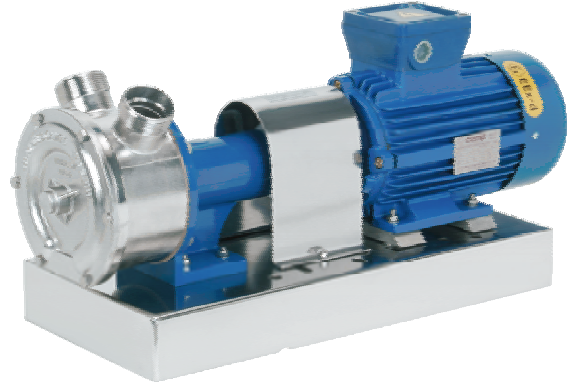
Tipo Type	Uscite Inlet-Outlet	Raccordi Pipe fittings	Motore Motor	Dimensioni (mm) / Dimensions (mm)												
				A	B	C	D	E	G	H	I	K	L	M ***	M2 ***	X
EPH NEOS 3/4"	BSP-M 3/4" *	Ø20 **	MF	90	71	73	34	107	56	113	-	5.5	251	110	-	8
			CC	100	80	100	34	115	71	123	-	7	295	-	110	12
EP NEOS 3/4"	BSP-M 3/4" *	Ø20 **	MF/TF	90	71	73	34	107	56	113	-	5.5	251	135	100	8
			CC	112	90	102	50	168	71	137	136	8	360	-	110	12
EP JUNIOR 1"1/4	BSP-M 1"1/4 *	Ø30 **	MF/TF	112	90	78	50	168	71	137	136	8	336	145	110	12
			CC	140	125	185	76	190	90	165	175	10	500	-	130	17.5
EP SENIOR 1"1/2	BSP-M 1"1/2 *	Ø40 **	MF/TF	125	100	90	76	170	80	165	155	10	360	155	125	17.5
			CC	140	125	137	94	185	90	193	175	10	447	-	-	17.5
EP MASTER 2"	BSP-M 2" *	Ø50 **	MF/TF	140	125	100	94	215	90	193	175	10	440	160	130	17.5
			TF 5.5 kW	190	140	148	144	245	128	306	280	11	705	-	-	18
EP 70 Inox	DIN 65 *	n.d.	TF 7.5 kW	216	178	155	144	280	156	334	280	11	785	-	-	18

* = Uscite standard, altre uscite disponibili p.20 / Standard inlet-outlet, different inlet-outlet are available see p.20
 ** = Raccordi in acciaio inox o nylon a richiesta / Stainless steel or nylon pipe fittings on request
 M *** = interruttore/invertitore-portacondensatore / on-off reverse switch-capacitor box - M2 *** = morsettiera / terminal board connection
 n.d. = Raccordi non disponibili / Pipe fittings not available

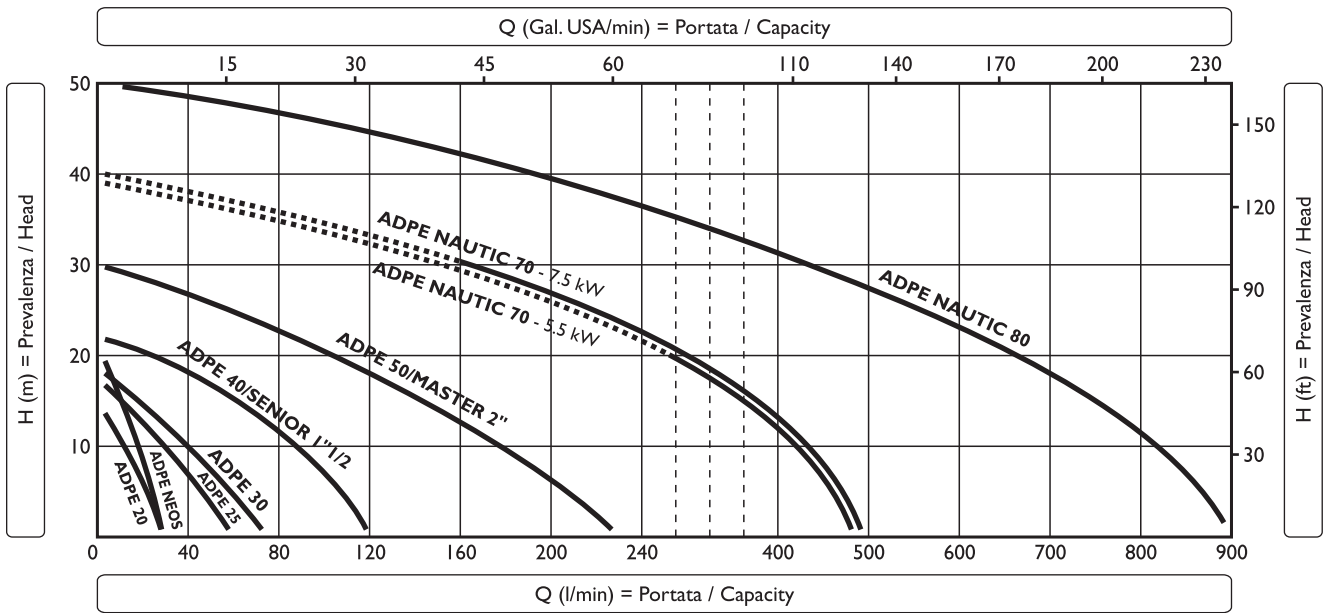
GRUPPI ANTIDEFLAGRANTI SENZA IMPIANTO ELETTRICO EXPLOSION PROOF GROUPS WITHOUT CONTROL PANELS



GRADPE SPECIAL Bronzo



GRADPE SPECIAL Inox

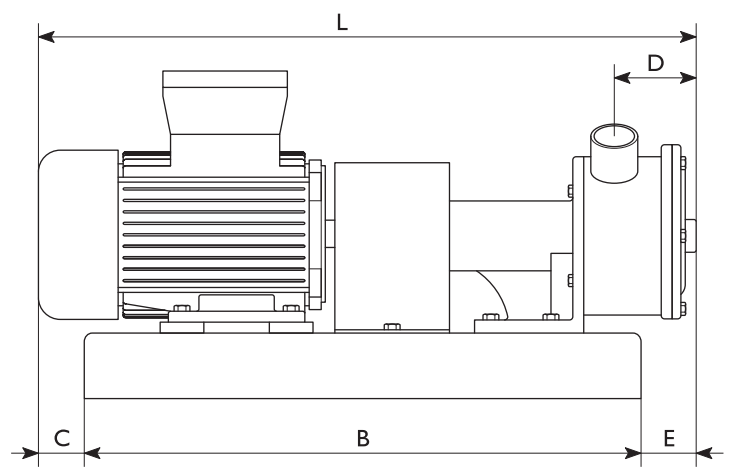
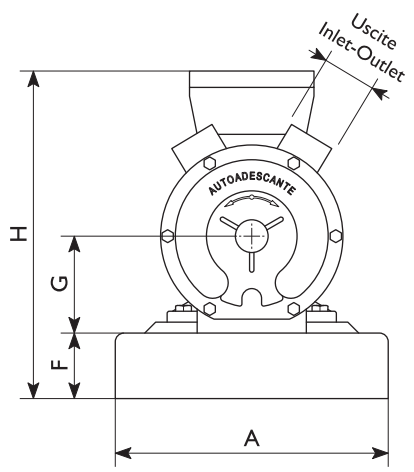


Tipo Type	Codice / Code		Peso Weight	Motore / Motor **			Giri/min Rpm	H (m) = Prevalenza / Head Q (l/min) = Portata / Capacity												
	su base on base	su carrello on trolley		Tipo Type	Volt	HP		kW	Q											
									0	5	15	18	22	30	40	50	H			
GRADPE SPECIAL 20 Bronzo	51352028	51362028	9 kg	TF	230-400	0,3	0,25	2800	29	20	0									
GRADPE SPECIAL 25 Bronzo	51352528	51362528	18 kg	TF	230-400	0,75	0,55	2800	60	50	8	0								
GRADPE SPECIAL 30 Bronzo	51353028	51363028	25 kg	TF	230-400	1	0,75	1400	75	60	15	0								
GRADPE SPECIAL 40 Bronzo	51354028	51364028	27 kg	TF	230-400	1	0,75	1400	120	110	55	45	0							
GRADPE SPECIAL 50 Bronzo	51355028	51365028	32 kg	TF	230-400	2	1,5	1400	230	210	140	125	85	0						
GRADPE NAUTIC 70 Bronzo	51377028	51387028	77 kg	TF	230-400	7,5	5,5	1400	500	460	370	330	280	165	0					
	51377128	51387128	77 kg	TF	230-400	10	7,5	1400	500	460	370	330	280	165	0					
GRADPE SPECIAL NEOS 3/4" Inox *	60370528	60380528	12 kg	TF	230-400	0,3	0,25	2800	29	23	12	9	0							
GRADPE SPECIAL SENIOR 1 1/2" Inox *	60374028	60384028	26 kg	TF	230-400	1	0,75	1400	120	110	55	45	0							
GRADPE SPECIAL MASTER 2" Inox *	60375028	60385028	31 kg	TF	230-400	2	1,5	1400	230	210	140	125	85	0						
GRADPE NAUTIC 70 Inox *	60377028	60387028	76 kg	TF	230-400	7,5	5,5	1400	500	460	370	330	280	165	0					
	60377128	60387128	76 kg	TF	230-400	10	7,5	1400	500	460	370	330	280	165	0					
GRADPE NAUTIC 80 Inox	60378028	60388028	213,0 kg	TF	230-400	20	15,0	1400	900	840	725	660	600	450	255	0				

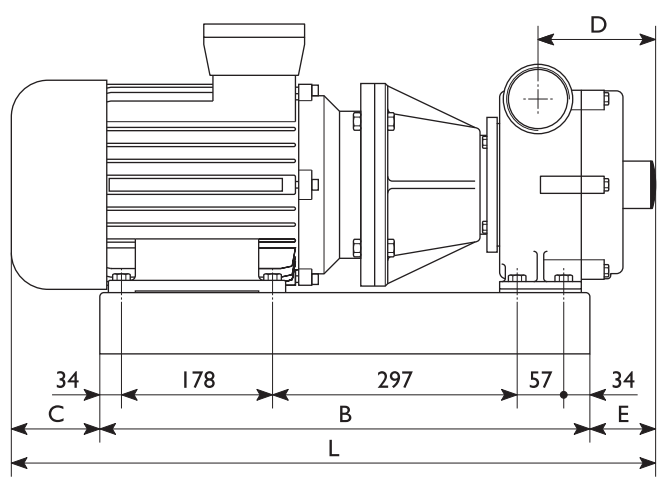
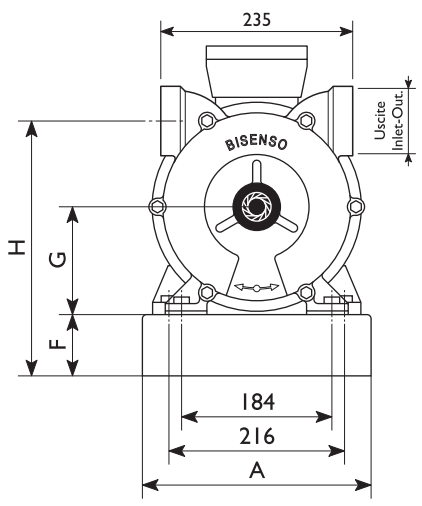
* = Con girante in Bronzo / With Bronze impeller

** TF = Trifase / Three Phase

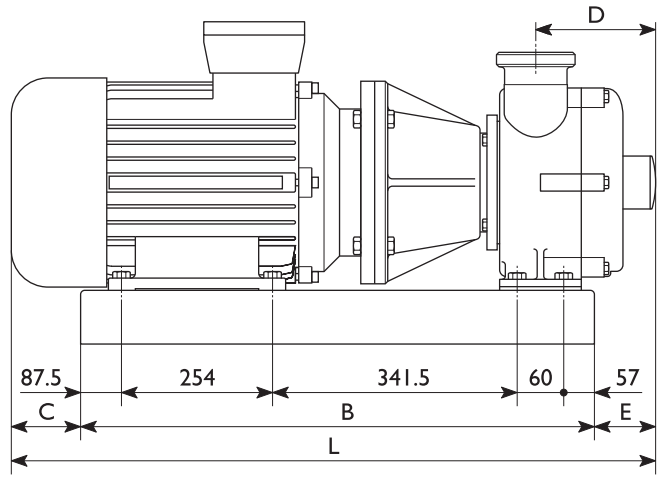
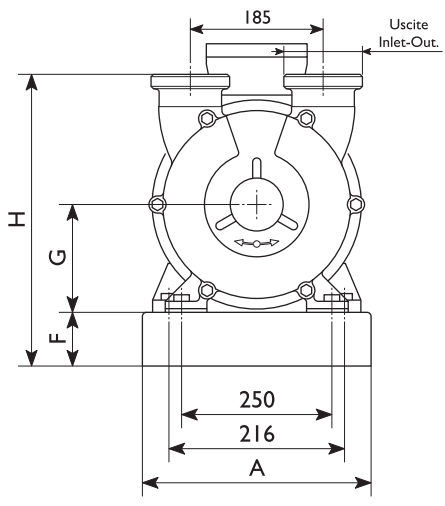
GRADPE SPECIAL
 20 - 25 - 30 - 40 - 50
 NEOS 3/4" - SENIOR 1"1/2
 MASTER 2"



GRADPE NAUTIC
 70 - 70 Inox



GRADPE NAUTIC
 80 Inox



Tipo Type	Uscite Inlet-Outlet	Raccordi Pipe fittings	Dimensioni (mm) / Dimensions (mm)								
			A	B	C	D	E	F	G	H	L
GRADPE SPECIAL 20	BSP-M 3/4"	Ø20	236	330	55,4	35	55,6	38	63	245	441
GRADPE SPECIAL 25	BSP-M 1"	Ø25	236	330	44,5	38,3	71,2	38	71	258	445,7
GRADPE SPECIAL 30	BSP-M 1"1/4	Ø30 - Ø35	270	600	-	52	4,6	72,5	90	332	605
GRADPE SPECIAL 40	BSP-M 1"1/2	Ø40 - Ø45	270	600	-	66	28	72,5	90	332	628
GRADPE SPECIAL 50	BSP-M 2"	Ø50	270	600	39	90	62	72,5	107	335	701
GRADPE NAUTIC 70	BSP-F 2"1/2	n.d.	280	600	100	146	81	72,5	132	310	781,5
GRADPE SPECIAL NEOS 3/4"	BSP-M 3/4"	Ø20 **	236	330	12	34	55	38	63	241	397
GRADPE SPECIAL SENIOR 1"1/2	BSP-M 1"1/2 *	Ø40 **	270	600	-	75,3	34	72,5	89	332	635
GRADPE SPECIAL MASTER 2"	BSP-M 2" *	Ø50 **	270	600	39	91	61	72,5	107	305	700
GRADPE NAUTIC 70 Inox	Garolla 70	n.d.	270	600	101	144	81	72,5	132	310	781,5
GRADPE NAUTIC 80 Inox	Garolla 80	n.d.	340	800	87	180	86	75	160	420	973

* = Uscite standard BSP (Gas), altre uscite disponibili p.20 / Standard inlet-outlet BSP (Gas), different inlet-outlet are available see p.20


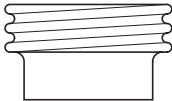
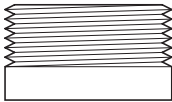
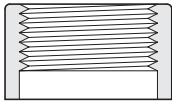
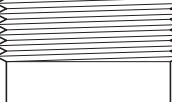
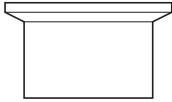
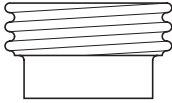
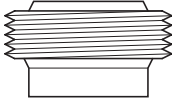
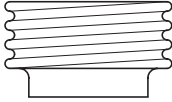
** = Raccordi in acciaio inox o nylon a richiesta / Stainless steel or nylon pipe fittings on request

n.d. = Raccordi non disponibili / Pipe fittings not available

RACCORDI ACCIAIO INOX

STAINLESS STEEL PIPE FITTINGS

20

Tipo Type		NEOS 3/4"	JUNIOR 1"1/4	SENIOR 1"1/2	MASTER 2"	POMPA 70
Garolla		<i>Non disponibile Not available</i>	Garolla 40	Garolla 40	Garolla 50	Garolla 70 Garolla 80
DIN 11851		DIN 20 DIN 25	DIN 25 DIN 32 DIN 40	DIN 32 DIN 40	DIN 50	DIN 65 DIN 80
BSP-M		BSP-M 3/4"	BSP-M 1"1/4	BSP-M 1"1/2	BSP-M 2"	BSP-M 2"1/2 BSP-M 3"
BSP-F		<i>Non disponibile Not available</i>	BSP-F 1"	BSP-F 1"1/4	BSP-F 1"1/2	BSP-F 2"1/2
Macon		<i>Non disponibile Not available</i>	Macon 40	Macon 40	Macon 50	Macon 70
Triclover		Triclover 1"	Triclover 1"1/2	Triclover 1"1/2	Triclover 2"	Triclover 3"
SMS		SMS 25	SMS 38	SMS 38	SMS 51	SMS 76
BSM (RJT)		BSM 1"	BSM 1" BSM 1"1/2	BSM 1"1/2	BSM 2"	BSM 2"1/2 BSM 3"
Friederich		<i>Non disponibile Not available</i>	Friederich 40	Friederich 40	Friederich 40 Friederich 60	Friederich 60



Carrello
Trolley

Carrelli e maniglie per elettropompe Trolley and handle for electric pumps



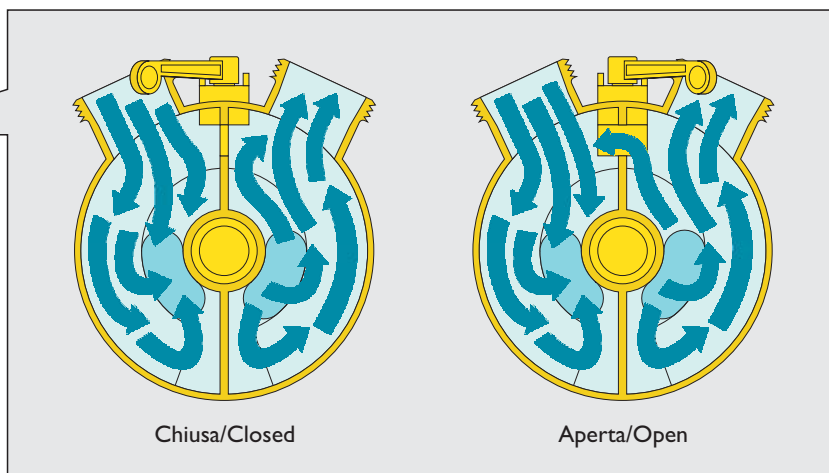
Maniglia tipo "L"
Handle "L" type



Maniglia tipo "U"
Handle "U" type

Tipo Type	Codice Code	EP 20	EP 25	EP 30	EP 40	EP 50	EPH/EP NEOS 3/4"	EP JUNIOR 1" 1/4	EP SENIOR 1" 1/2	EP MASTER 2"
Carrello ferro zincato Zincated iron trolley	36202002	x	x	x	x	x	x	x	x	x
Carrello inox AISI 304 Stainless steel AISI 304 trolley	36202043	x	x	x	x	x	x	x	x	x
Maniglia tipo "L" Handle "L" type	34432003	x	x				x	x		
Maniglia tipo "U" Handle "U" type	34432004			x	x				x	

Valvola by-pass
By-pass valve



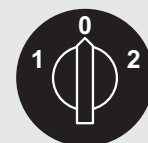
Chiusa/Closed

Aperta/Open

Morsettiera
Terminal board connection



Interruttore/invertitore
On-off/reverse switch



Rotativo/Rotative



Basculante/Rocker

COMPONENTI SPARE PARTS

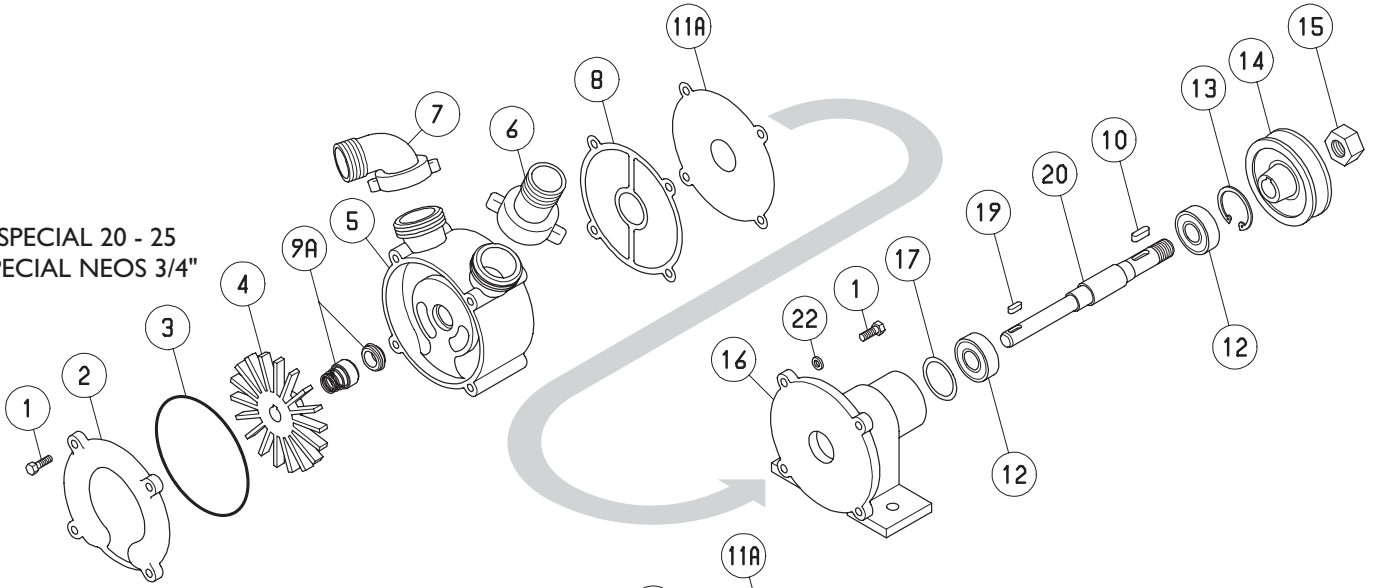
22

Pos.	Descrizione/Description	Materiale/Material	20	25	30	40	50	70	NEOS	JUNIOR	SENIOR	MASTER
1	Vite/Screw	Inox AISI 304/Stainless steel AISI 304	x	x	x	x	x	x	x		x	x
	Cavallotto/U-bolt	Inox AISI 304/Stainless steel AISI 304								x		
1A	Vite/Screw	Inox AISI 304/Stainless steel AISI 304		x	x	x	x	x			x	x
2	Culatta/Cover	Bronzo/Bronze	x	x	x	x	x	x				
		Inox AISI 316/Stainless steel AISI 316						x	x	x	x	x
3	Guarnizione culatta/Cover rubber seal	Gomma NBR/Rubber (NBR)	x	x	x	x	x	x	x	x	x	x
4	Girante/Impeller	Bronzo/Bronze	x	x	x	x	x					
		Inox AISI 316/Stainless steel AISI 316							x	x	x	x
	Girante con albero/Impeller with shaft	Bronzo-Inox/Bronze-Stainless steel		x	x	x	x	x				
		Inox AISI 316/Stainless steel AISI 316						x				x
	Girante con albero tipo FM/Impeller with shaft FM type	Bronzo-Inox/Bronze-Stainless steel						x				
		Inox AISI 316/Stainless steel AISI 316						x				
5	Corpo pompa/Casing	Bronzo/Bronze	x	x	x	x	x					
		Inox AISI 316/Stainless steel AISI 316							x	x	x	x
	Corpo pompa con piedi/Casing with feet	Bronzo/Bronze		x	x	x	x	x				
		Inox AISI 316/Stainless steel AISI 316						x				x
6	Raccordo dritto con girello/Straight collector with collar	Bronzo/Bronze	x	x	x	x	x	x				
7	Raccordo curvo con girello/Bent collector with collar	Bronzo/Bronze	x	x	x	x	x	x				
8	Guarnizione Guarnital-Anello OR/Guarnital gasket-O ring	Guarnital	x	x	x	x	x		x	x	x	
9	Anello di tenuta paraolio/Lip seal	Gomma NBR/Rubber (NBR)	x	x	x	x	x	x				
		Viton/Viton								x	x	x
9A	Tenuta meccanica standard/Standard mechanical seal	Ceramica, Inox-Grafite-NBR Ceramics, Stainless steel-Graphite-NBR	x	x	x	x	x	x	x	x	x	x
	Tenuta meccanica speciale/Special mechanical seal	Vidia-Vidia-Viton/Vidia-Vidia-Viton	x	x	x	x	x	x		x	x	x
		Vidia-Carburo di Silicio-Viton Vidia-Silicium carbide-Viton	x	x	x	x	x	x	x	x	x	x
9B	Anello premistoppa/Packing ring	Baderna/Packing			x	x	x					
10	Chiavetta puleggia/Pulley flat key	Inox AISI 304/Stainless steel AISI 304	x	x	x	x	x	x			x	x
11	Guarnizione Melinex/Melinex seal	Melinex/Melinex	x	x	x	x	x					
11A	Guarnizione inox/Stainless steel seal	Inox AISI 316/Stainless steel AISI 316	x	x	x	x	x		x		x	x
12	Cuscinetto/Ball bearing	Commerciale/Commercial	x	x	x	x	x	x			x	x
13	Anello Seeger/Seeger ring	Acciaio/Steel	x	x	x	x	x	x			x	x
14	Puleggia/Pulley	Alluminio/Aluminium	x	x	x	x	x	x			x	x
	Puleggia frizione manuale/Manual clutch pulley	Ghisa/Cast iron			x	x	x	x				
	Frizione magnetica/Magnetic clutch	Commerciale/Commercial			x	x	x	x			x	x
	Motore idraulico/Hydraulic motor	Commerciale/Commercial				x	x	x				x
15	Dado/Nut	Acciaio/Steel	x	x	x	x	x	x		x	x	x
16	Supporto SPECIAL/SPECIAL support	Peraluman	x	x	x	x	x		x		x	x
	Supporto SPECIAL FM/SPECIAL FM support	Peraluman			x	x	x	x			x	x
	Supporto NAUTIC/NAUTIC support	Bronzo/Bronze		x	x	x	x	x				
	Supporto NAUTIC F/NAUTIC F support	Bronzo/Bronze			x	x	x	x				
	Supporto MID/MID support	Alluminio/Aluminium				x	x	x				x
	Supporto pompa EP 70/EP 70 pump support	Alluminio/Aluminium						x				
17	Anello di compensazione/Spacing ring	Acciaio/Steel	x	x	x	x	x		x		x	x
	Anello antisballamento MID/MID spacing ring	Ottone/Brass				x	x					x
18	Cuscinetto/Ball bearing	Commerciale/Commercial			x	x	x	x			x	x

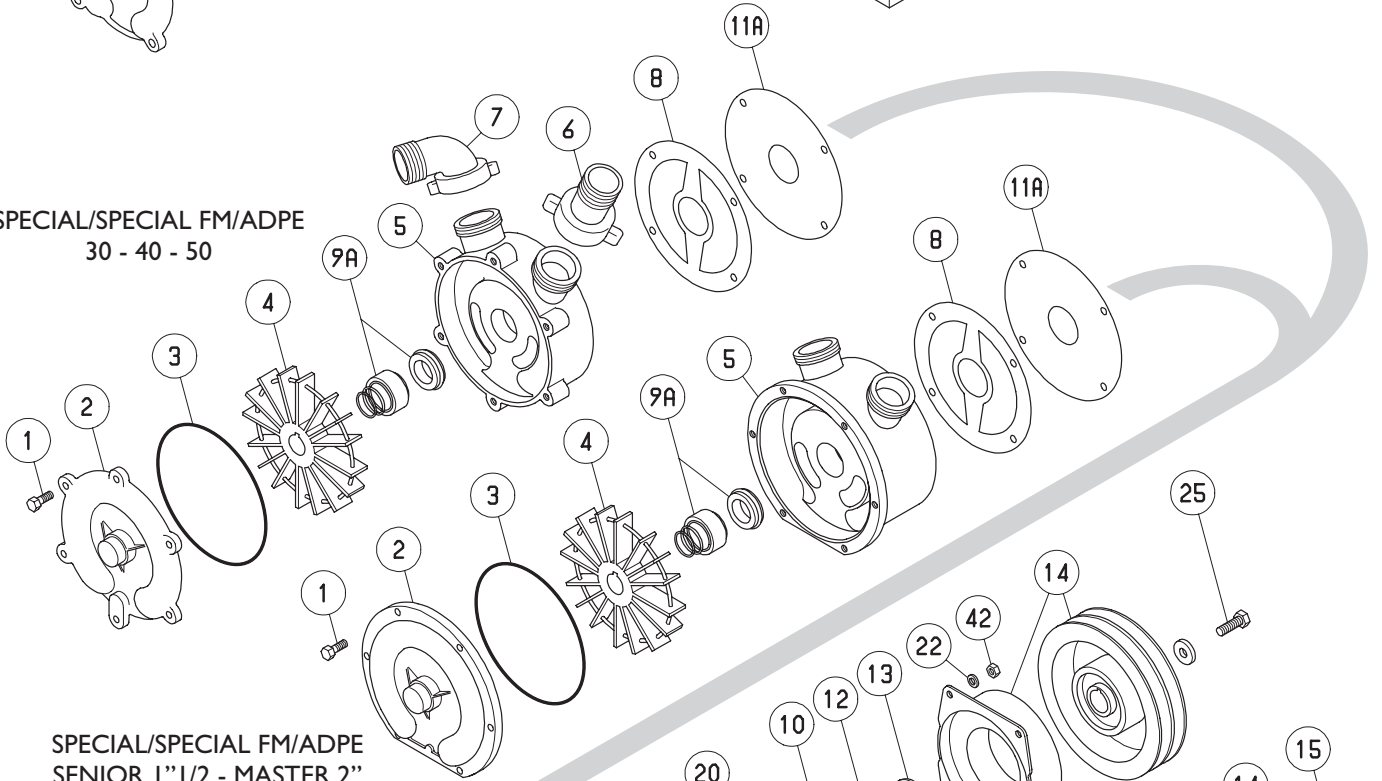
Pos.	Descrizione/Description	Materiale/Material	20	25	30	40	50	70	NEOS	JUNIOR	SENIOR	MASTER
19	Chiavetta girante/Impeller flat key	Inox AISI 304/Stainless steel AISI 304	x	x	x	x	x		x	x	x	x
20	Albero SPECIAL/SPECIAL shaft	Inox AISI 316/Stainless steel AISI 316	x	x	x	x	x		x		x	x
	Albero SPECIAL FM/SPECIAL FM shaft	Inox AISI 316/Stainless steel AISI 316			x	x	x				x	x
	Albero LALX/LALX shaft	I6CrNi4Pb				x	x				x	x
21	Rubinetto di spurgo/Drain cock	Ottone/Brass				x	x					
	Tappo di spurgo/Drain plug	Ottone Nichelato/Nickel-plated brass										x
	Tappo di sfiato/Sniffle plug	Commerciale/Commercial				x	x				x	x
22	Rondella/Washer	Inox AISI 304/Stainless steel AISI 304	x	x	x	x	x	x	x	x	x	x
23	Coperchio/Cover	Gomma/Rubber		x	x	x	x	x				x
25	Vite/Screw	Acciaio/Steel			x	x	x	x		x	x	x
26	Maniglia frizione/Clutch handle	Acciaio Zincato/Zincated steel			x	x	x	x				
	Maniglia LALX/LALX handle	Acciaio Zincato/Zincated steel				x	x				x	x
27	Settore fisso frizione/Clutch fixed sector	Ottone/Brass			x	x	x	x				
28	Settore mobile frizione/Clutch mobile sector	Ottone/Brass			x	x	x	x				
29	Flangia frizione/Clutch flange	Ferro/Iron			x	x	x	x				
30	Anello distanziale frizione/Clutch spacing ring	Inox AISI 304/Stainless steel AISI 304			x	x	x	x				
31	Cono frizione/Clutch cone	Ghisa/Cast iron			x	x	x	x				
32	Cuscinetto/Ball bearing	Commerciale/Commercial			x	x	x	x			x	x
33	Anello Seeger/Seeger ring	Acciaio/Steel			x	x	x	x				
34	Bussola frizione/Clutch bush	Acciaio/Steel			x	x	x	x				
35	Molla frizione/Clutch spring	Acciaio/Steel			x	x	x	x				
36	Coperchio frizione/Clutch cover	Alluminio/Aluminium			x	x	x	x				
37	Culatta posteriore EP JUNIOR/EP JUNIOR rear cover	Inox AISI 316/Stainless steel AISI 316								x		
	Campana pompa EP 70 / EP 70 pump flange	Ghisa/Cast iron						x				
38	Anello Seeger/Seeger ring	Acciaio/Steel				x	x					x
39	Manicotto dentato /Geared coupling	Acciaio C40/Steel C40				x	x					x
	Manicotto di collegamento/Connecting coupling	Nylon/Nylon						x				
40	Ingranaggio conico/Bevel gear	Acciaio/Steel				x	x					x
41	Guarnizione Guarnital LALX/LALX guarnital gasket	Guarnital				x	x					x
42	Dado/Nut	Acciaio/Steel			x	x	x	x			x	x
43	Giunto coassiale pompa/Pump coaxial coupling	Acciaio/Steel						x				
44	Anello di tenuta paraolio/Lip seal	Gomma NBR/Rubber (NBR)				x	x				x	x
45	Anello di tenuta paraolio/Lip seal	Gomma NBR/Rubber (NBR)				x	x				x	x
46	Scatola moltiplicatore LALX/LALX overdrive	Alluminio/Aluminium				x	x				x	x
47	Anello di tenuta paraolio/Lip seal	Gomma NBR/Rubber (NBR)				x	x				x	x
48	Indicatore livello olio/Oil level indicator	Commerciale/Commercial				x	x				x	x
49	Spina conica/Taper pin	Acciaio/Steel				x	x				x	x
50	Anello antispallamento/Spacing ring	Acciaio/Steel				x	x				x	x
51	Ingranaggio conduttore LALX/LALX driving gear	I6CrNi4				x	x				x	x
52	Vite/Screw	Acciaio/Steel			x	x	x	x			x	x
53	Flangia premistoppa/Packing flange	Bronzo/Bronze			x	x	x					
54	Vite prigioniero/Screw	Acciaio/Steel			x	x	x					
55	Giunto coassiale motore/Motor coaxial coupling	Acciaio/Steel						x				
56	Giunto coassiale motore/Motor coaxial coupling	Acciaio/Steel						x				
57	Giunto coassiale pompa/Pumpa coaxial coupling	Alluminio/Aluminium			x	x	x				x	x
58	Anello giunto/Coupling ring	Gomma/Rubber			x	x	x				x	x
59	Giunto coassiale motore/Motor coaxial coupling	Alluminio/Aluminium			x	x	x				x	x

SPECIAL / SPECIAL FM / ADPE

SPECIAL 20 - 25
SPECIAL NEOS 3/4"



SPECIAL/SPECIAL FM/ADPE
30 - 40 - 50

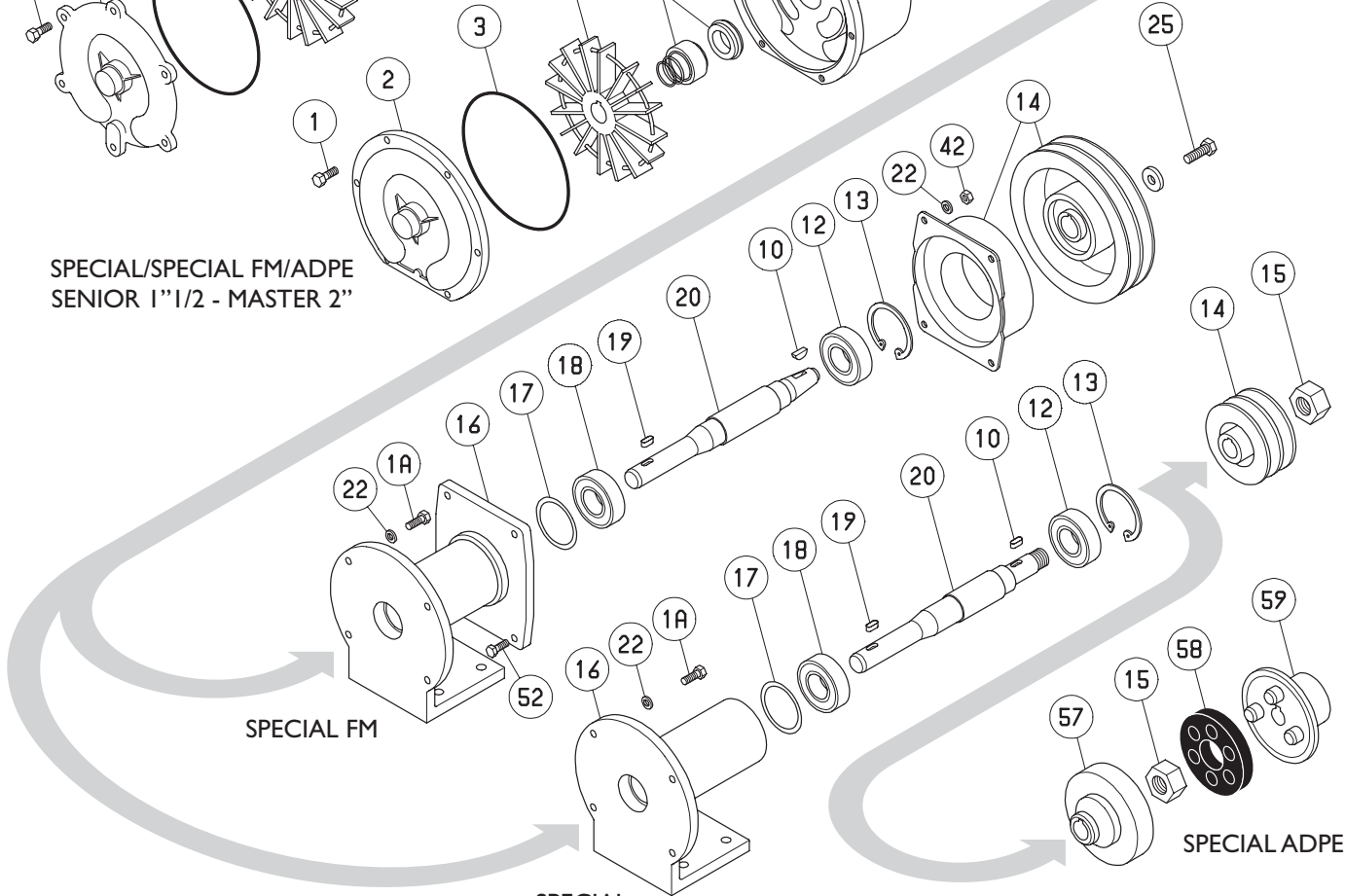


SPECIAL/SPECIAL FM/ADPE
SENIOR 1 1/2" - MASTER 2"

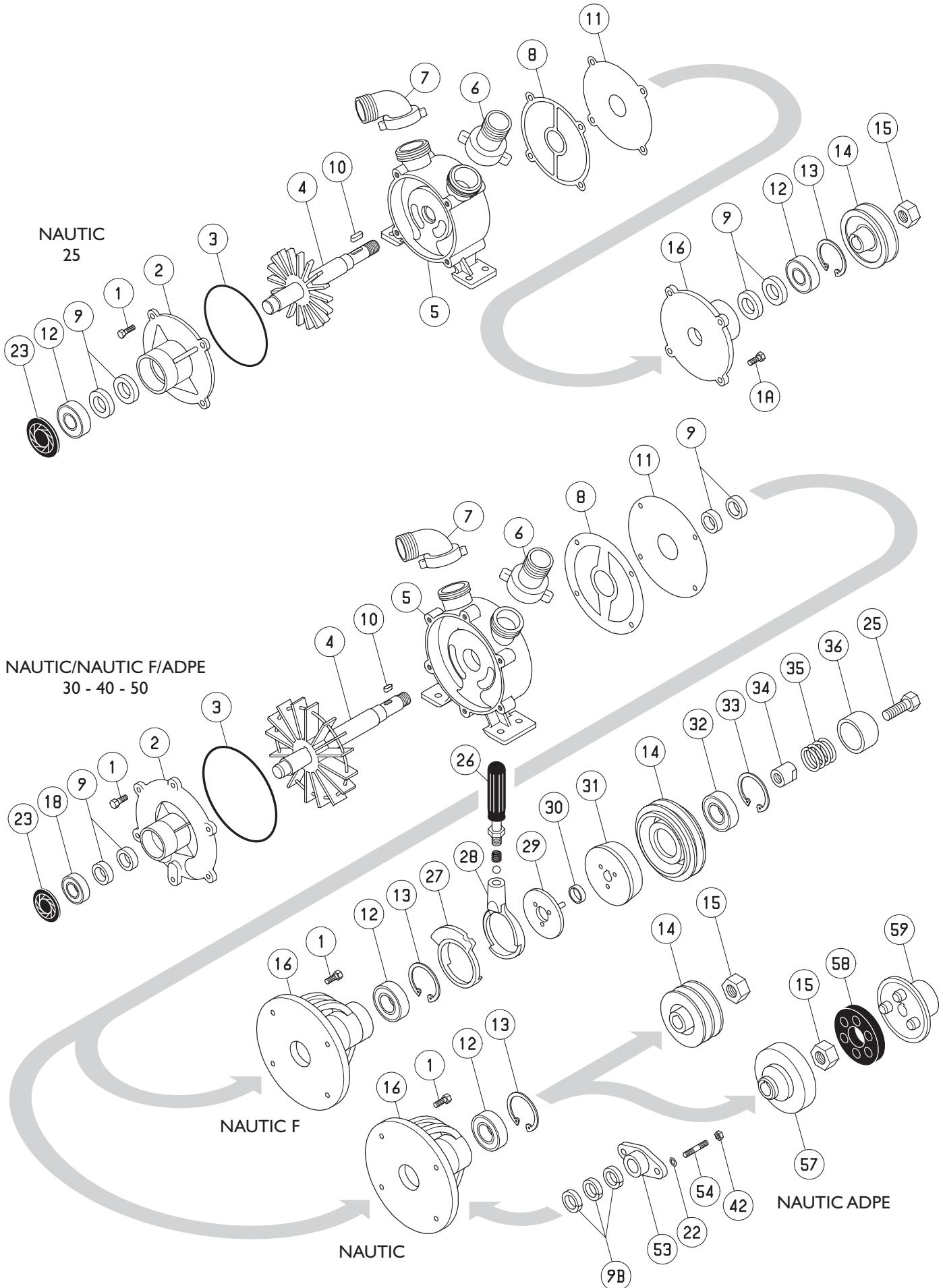
SPECIAL FM

SPECIAL

SPECIAL ADPE

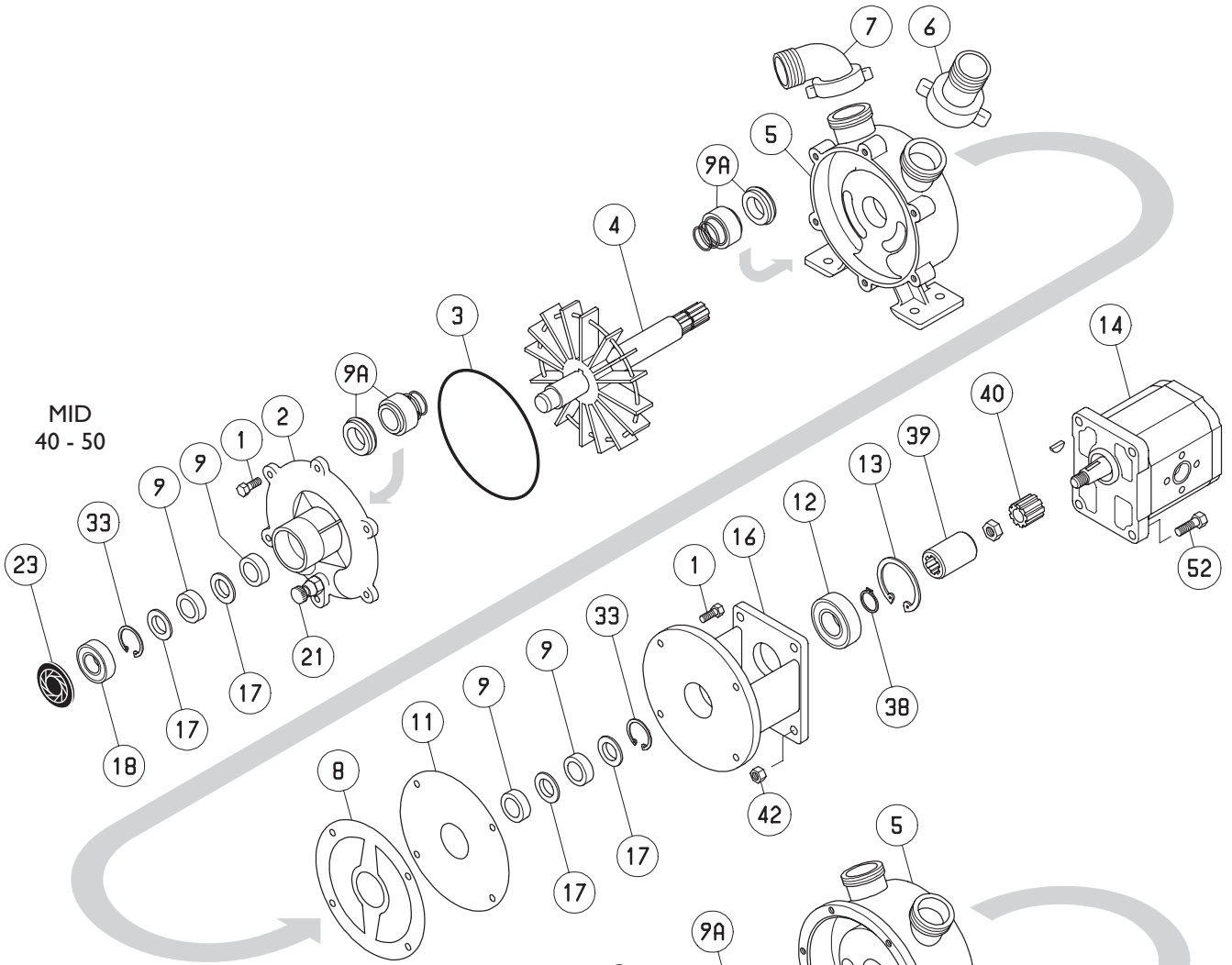


NAUTIC / NAUTIC F / ADPE

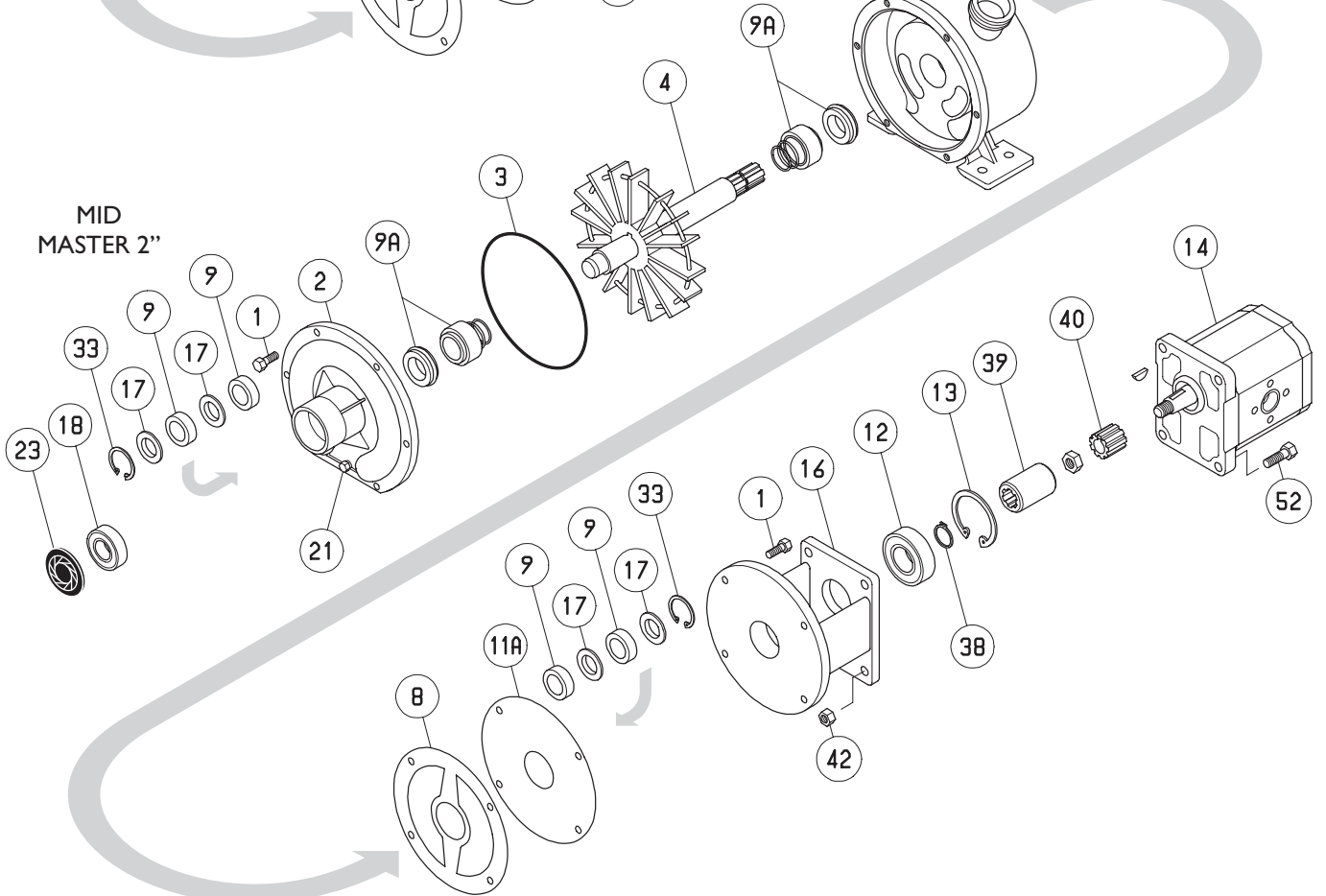


MID

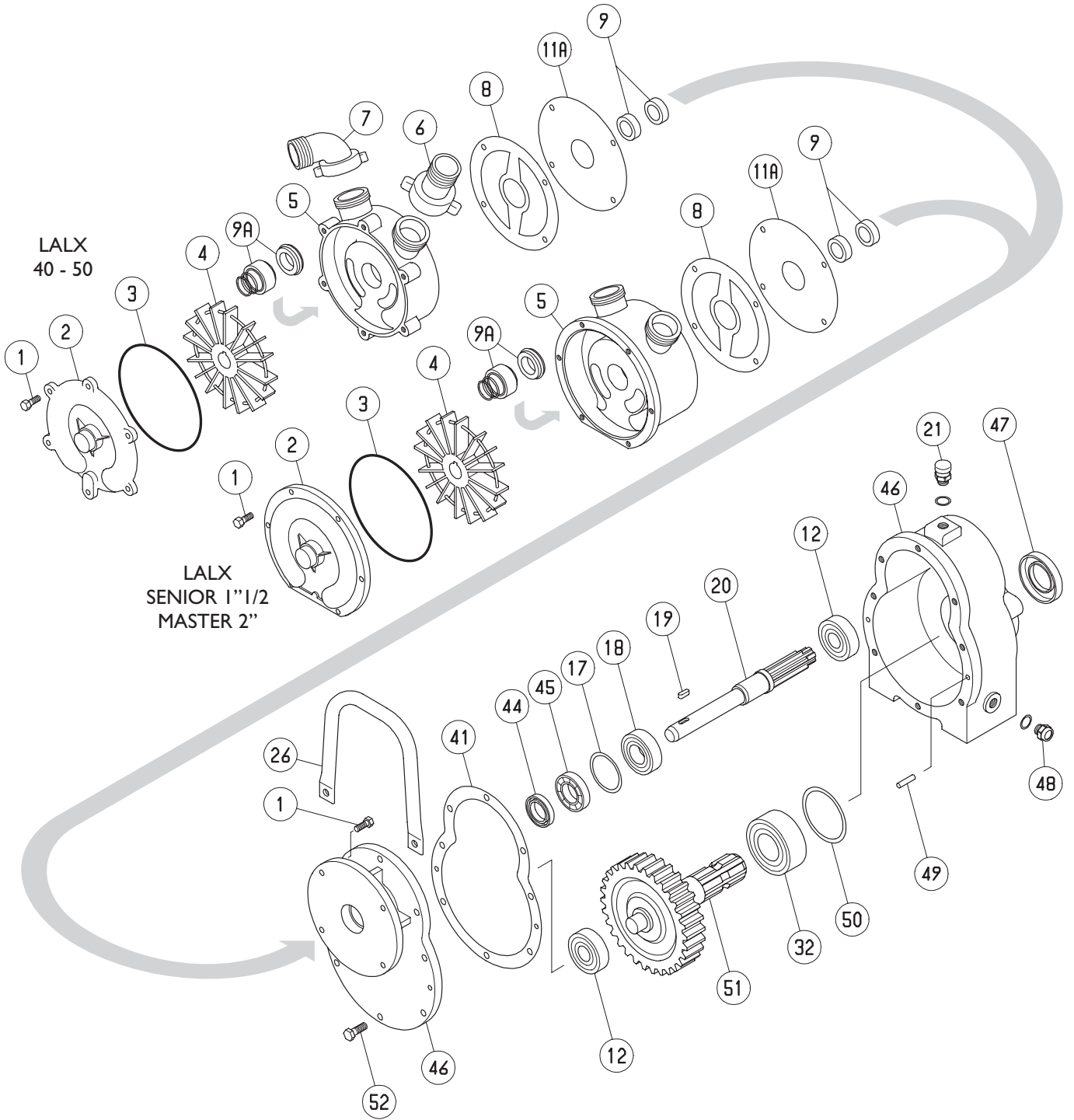
MID
40 - 50



MID
MASTER 2"



LALX



EP

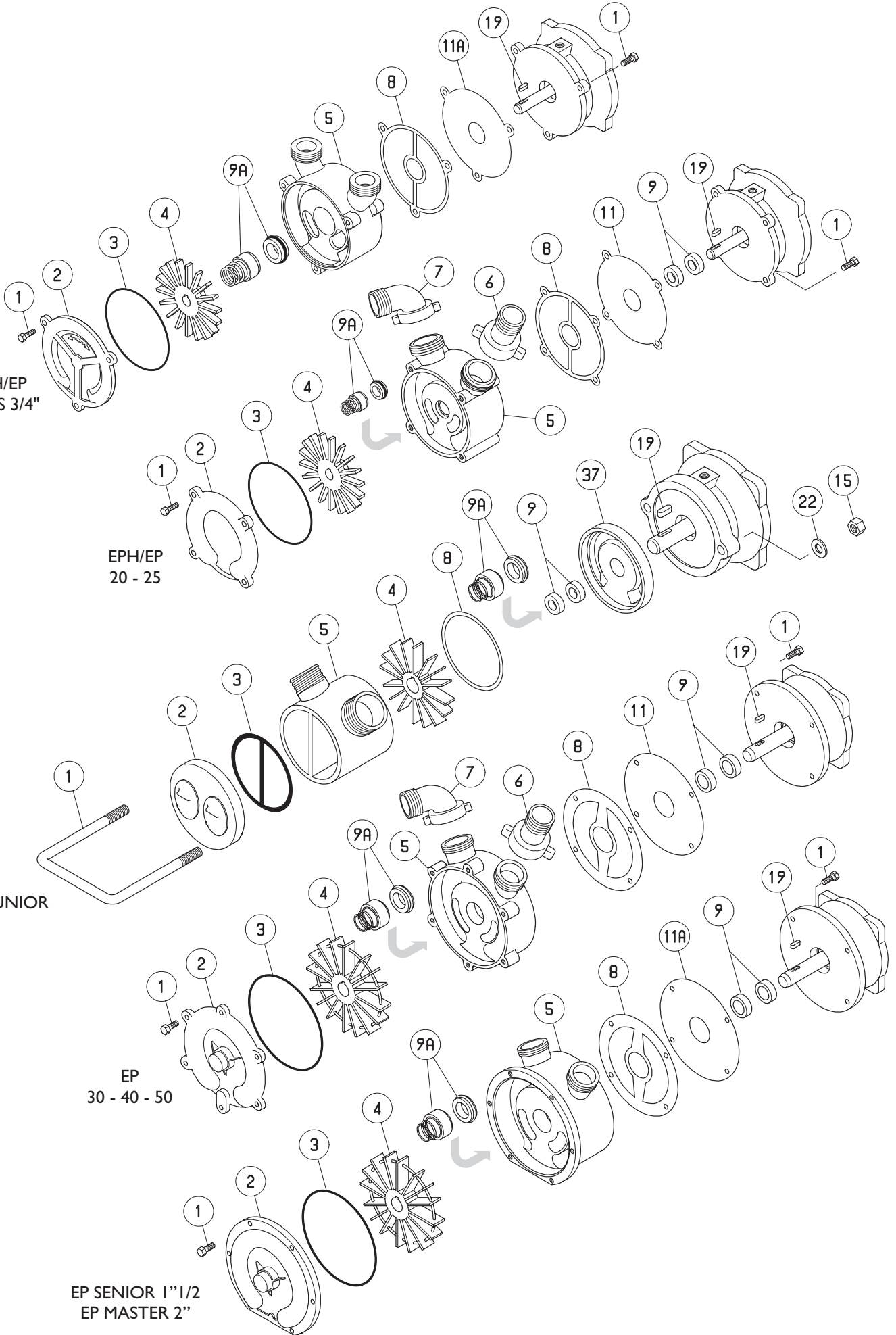
EPH/EP
NEOS 3/4"

EPH/EP
20 - 25

EP JUNIOR

EP
30 - 40 - 50

EP SENIOR 1 1/2"
EP MASTER 2"





LIVERANI

FLUID TRANSFER TECHNOLOGY
Via De' Brozzi, 94 - 48022 Lugo (Ra) Italy
Tel. ++39 0545 22379 - Fax ++39 0545 30350
E-mail: liverani@liverani.com
www.liverani.com