



TSURUMI PUMP

U 3-phase
50Hz

Sewage pump with vortex impeller

The U pump features a vortex (eddy flow) structure and wide pump casing interior, preventing clogging by waste and solid matter.





Vortex Impeller

This impeller is used mainly to avoid clogging or wear by large or stringy solids in the water. It accelerates part of the water to great speed, and this speed is used to smoothly move all the water from inlet to outlet.

Optional Accessories:

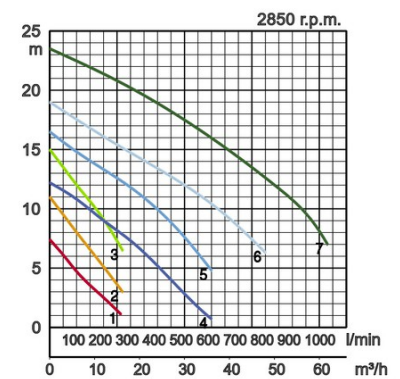
- TOK4-A guide rail fitting for small pumps:
 - Guide support / Guide hook
 - Duck foot bend
 - Lifting chain



Specifications:

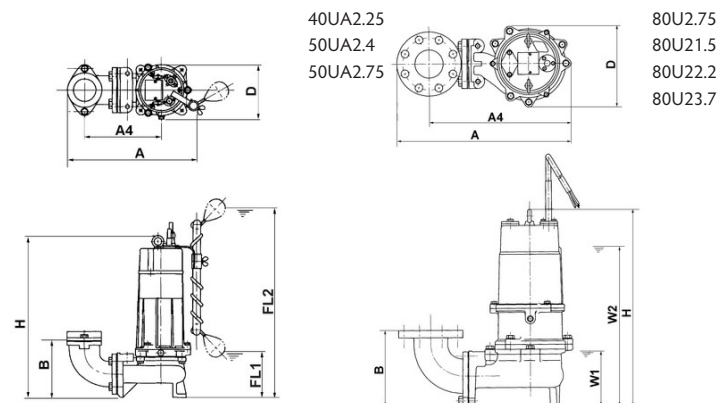
	Model		Colour code curve	Bore mm	Power output kW	Phases	r.p.m.	Head max. m	Capacity max. l/min	Starting method	Dry weight kg without cable		Impeller passage mm	
	free standing	with guide rail fitting									free standing	with guide rail fitting		
autom.	40UA2.25	optional		1	40	0,25	3	2850	7,4	264	direct	14,5	-	35
	50UA2.4	optional		2	50	0,4	3	2850	11,0	270	direct	20,0	-	35
	50UA2.75	optional		3	50	0,75	3	2850	15,0	270	direct	24,0	-	35
manual	80U2.75	TOS80U2.75		4	80	0,75	3	2850	12,2	450	direct	29,0	24,0	46
	80U21.5	TOS80U21.5		5	80	1,5	3	2850	16,5	600	direct	40,0	36,0	46
	80U22.2	TOS80U22.2		6	80	2,2	3	2850	19,0	800	direct	55,0	51,0	56
	80U23.7	TOS80U23.7		7	80	3,7	3	2850	23,5	1030	direct	62,0	58,0	56

ø Discharge bore mm		50mm, 80mm	
Pumping Fluid	Temperature	0-40°C	
	Type of Fluid	Municipal sewage, water with solids	
Pump	Components	Impeller	Vortex impeller
		Shaft Seal	Double mechanical seal
		Bearings	Shielded ball bearings
	Material	Impeller	Grey iron casting EN-GJL-200
	Casing	Grey iron casting EN-GJL-200	
	Shaft Seal	Silicon carbide in oil bath	
Motor	Type, Poles		Induction motor, 2 poles, IP68
	Lubrication		Turbine oil (ISO VG32)
	Insulation		Insulation class E, Insulation class F
	Motor Protector (built-in)		Circle thermal cut-out
	Phase / Voltage		3-phase / 400V / 50Hz / d.o.l.
	Material	Casing	Grey iron casting EN-GJL-150
Shaft		Stainless steel EN-X6Cr13, Stainless steel EN-X30Cr13	
Cable		Rubber, 10m H07RN-F	
Discharge Connection		Inside thread, JIS10K flange	
Optional Accessories		Guide rail fitting "TOK" for small pumps, Guide rail fitting "TOS" (guide support, duck foot bend, lifting chain) / Bend and stand set for free standing types	



Dimensions in mm:

Model	A	A4	B	D	FL1	FL2	H	W1	W2
40UA2.25	241	207	107	194	100	585	433	-	-
50UA2.4	236	199	102	187	105	590	450	-	-
50UA2.75	383	246	102	172	105	590	475	-	-
80U2.75	383	329	173	172	-	-	421	130	385
80U21.5	420	366	173	200	-	-	501	135	430
80U22.2	502	410	225	240	-	-	562	160	490
80U23.7	502	410	226	234	-	-	565	160	520

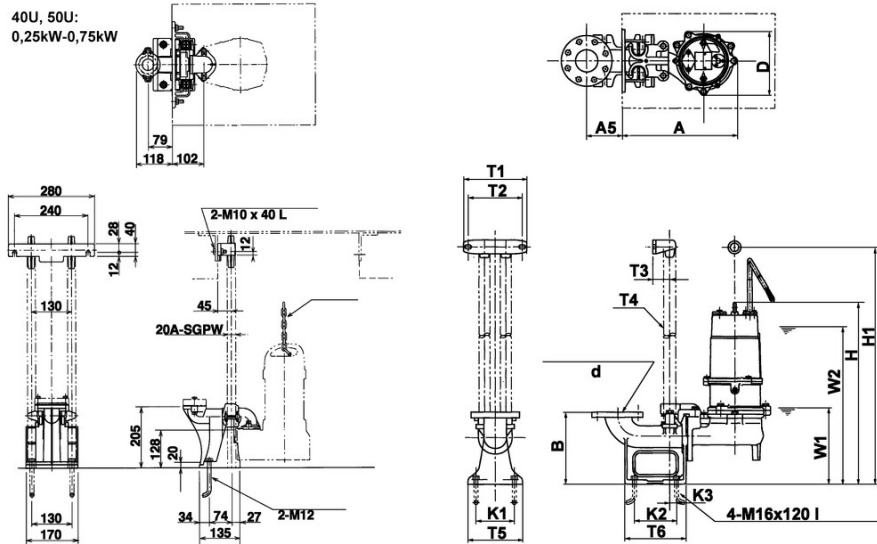


Please mind: discharge bend, duck foot bend and stand set are accessories and must be ordered separately

Dimensions - guide rail fitting type in mm:

Model	A	A5	D	W1	W2	H	H1
40UA2.25	-	-	-	-	-	-	-
50UA2.4	-	-	-	-	-	-	-
50UA2.75	-	-	-	-	-	-	-
80U2.75	347	130	172	230	490	523	710
80U21.5	389	130	200	240	530	603	-
80U22.2	418	130	240	245	575	647	-
80U23.7	418	130	234	245	610	650	895

40U, 50U:
0,25kW-0,75kW



W1: lowest running water level

Discharge bore mm	d	T1	T2	T3	T4	T5	T6	K1	K2	K3	B1
80mm	80	230	195	60	32	190	220	140	140	15	270

We reserve the right to change specifications and designs herein for improvement without prior notice. Our pumps are for professional use only. In the event that Tsurumi (Europe) GmbH have, in exceptional cases taken over, a manufacturer's warranty, this entitles the enduser to assert remedy free of charge against Tsurumi (Europe) GmbH due to any defect to the product occurring during the guarantee period (see below), also then when the warranty claims against the seller do not or no longer exist. In the event of malfunction, which is attributable to the improper handling by the enduser, no guarantee claim shall arise. Further claims shall not result from the warranty, unless if something to the contrary has explicitly been determined. The decision as to whether remedy is effected by way of replacement or repair shall be at the choice of Tsurumi (Europe) GmbH. The claims shall be time barred after a period of three months after expiry of the guarantee period, however, not before expiry of the warranty period which is valid towards the seller. In the event of doubt, the warranty period shall correspond with the warranty period which is valid between the end-user and his seller.

sew-U-EN

