



TSURUMI PUMP

CX 3-phase
50Hz

Submersible sewage pumps - Explosion proof
- ATEX II 2G EX d IIB T4

Saw-shaped fixed blades are used in combination with carbide blades in an impeller-integrated structure. This construction ensures that fibrous foreign matter is cut up and sewage is transferred without clogging.





Non-clog impeller with cutter mechanism

A "cutter mechanism" is provided by the combined action of a carbide blade integrated into a non-clog impeller and the saw-shaped inner surface of a suction cover.

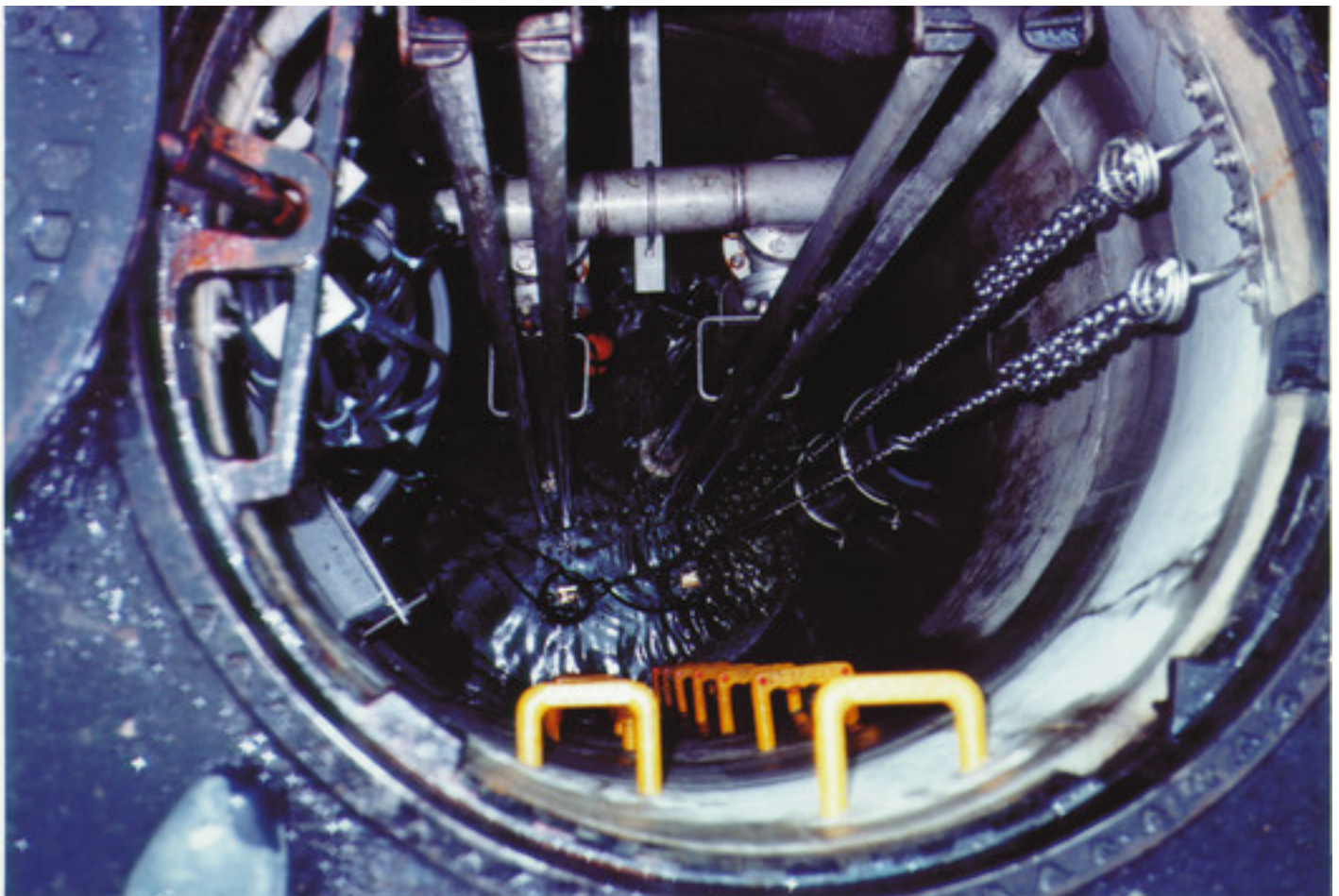


Optional Accessories:

- Guide rail fitting consisting of:
 - Guide support / Guide hook
 - Duck foot bend
 - Lifting chain



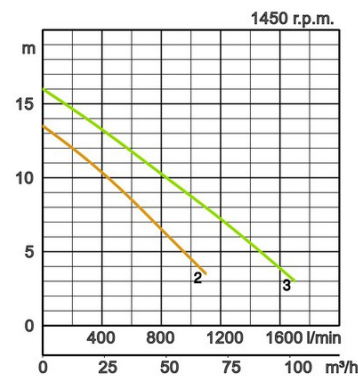
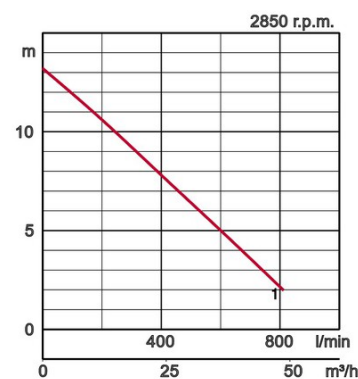
ATEX  II 2G Ex d IIB



Specifications:

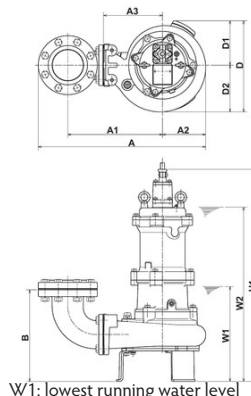
Model		Colour code curve	Bore mm	Power output kW	Phases	r.p.m.	Head max. m	Capacity max. l/min	Starting method	Dry weight kg without cable		Impeller passage mm
free standing	with guide rail fitting									free standing	with guide rail fitting	
80CX21.6	TOS80CX21.6	● 1	80	1,6	3	2850	13,2	810	direct	52,0	50,0	43x60
100CX42.3	TOS100CX42.3	● 2	100	2,3	3	1450	13,5	1100	direct	78,0	72,0	67x56
100CX43.8	TOS100CX43.8	● 3	100	3,8	3	1450	16,0	1700	direct	94,0	88,0	70x81

ø Discharge bore mm		80mm,100mm	
Pumping Fluid	Temperature	0-40°C	
	Type of Fluid	Wastewater and liquid carrying waste and foreign matters	
Pump	Components	Impeller	Non-clog impeller with cutter mechanism
		Shaft Seal	Double mechanical seal
		Bearings	Shielded ball bearings
	Material	Impeller	Grey iron casting EN-GJL-200 with sintered tungsten carbide alloy tip
		Casing	Grey iron casting EN-GJL-200
		Suction Plate	Ductile iron casting EN-GJS-700-2
	Shaft Seal	Silicon carbide in oil bath	
Motor	Type, Poles		Induction motor, 2 poles, IP68, Induction motor, 4 poles, IP68
	Lubrication		Turbine oil (ISO VG32)
	Insulation		Insulation class F
	Motor Protector (built-in)		Circle thermal cut-out
	Phase / Voltage		3-phase / 400V / 50Hz / d.o.l.
	Material	Casing	Grey iron casting EN-GJL-200
		Shaft	Stainless steel EN-X30Cr13
Cable		Rubber, 10m H07RN6G	
Discharge Connection		Inside thread, JIS10K flange	
Optional Accessories		Guide rail fitting "TOS" (guide support, duck foot bend, lifting chain) / Bend and stand set for free standing types	



Dimensions in mm:

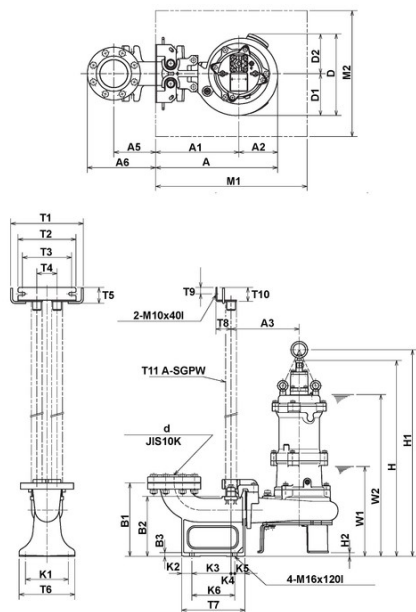
Model	A	A1	A2	A3	B	D	D1	D2	H	W1	W2
80CX21.6	446	267	125	165	234	250	125	125	695	265	560
100CX42.3	597	337	154	210	328	324	158	166	761	340	625
100CX43.8	602	337	159	210	334	333	158	175	838	355	700



Please mind: discharge bend, duck foot bend and stand set are accessories and must be ordered separately

Dimensions - guide rail fitting type in mm:

Model	A	A1	A2	A3	A5	A6	D	D1	D2	W1	W2	H	H1	H2	M1	M2
80CX21.6	410	285	125	225	165	258	250	125	125	315	610	744	786	49	500	400
100CX42.3	484	330	154	270	165	270	324	158	166	355	640	775	817	14	600	500
100CX43.8	489	330	159	270	165	270	333	158	175	365	710	847	889	9	600	500



W1: lowest running water level



Dischcharge bore mm	d	T1	T2	T3	T4	T5	T6	T7	T8	T9	T10	T11	K1	K2	K3	K4	K5	K6	B1	B2	B3
80mm	100	288	230	195	80	63	220	250	60	25	55	32	170	40	155	15	40	170	290	237	15
100mm	100	288	230	195	80	63	220	250	60	25	55	32	170	40	155	15	40	170	290	237	15

We reserve the right to change specifications and designs herein for improvement without prior notice. Our pumps are for professional use only. In the event that Tsurumi (Europe) GmbH have, in exceptional cases taken over, a manufacturer's warranty, this entitles the enduser to assert remedy free of charge against Tsurumi (Europe) GmbH due to any defect to the product occurring during the guarantee period (see below), also then when the warranty claims against the seller do not or no longer exist. In the event of malfunction, which is attributable to the improper handling by the enduser, no guarantee claim shall arise. Further claims shall not result from the warranty, unless if something to the contrary has explicitly been determined. The decision as to whether remedy is effected by way of replacement or repair shall be at the choice of Tsurumi (Europe) GmbH. The claims shall be time barred after a period of three months after expiry of the guarantee period, however, not before expiry of the warranty period which is valid towards the seller. In the event of doubt, the warranty period shall correspond with the warranty period which is valid between the end-user and his seller.

sew-CX-EN

